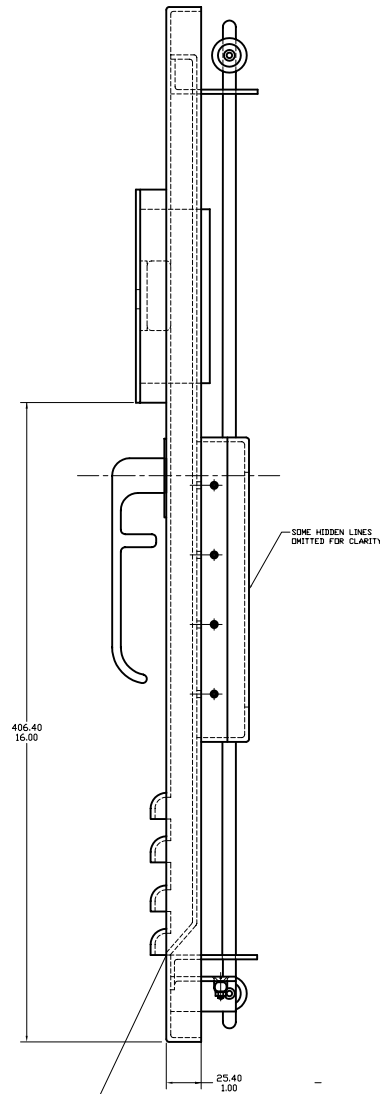
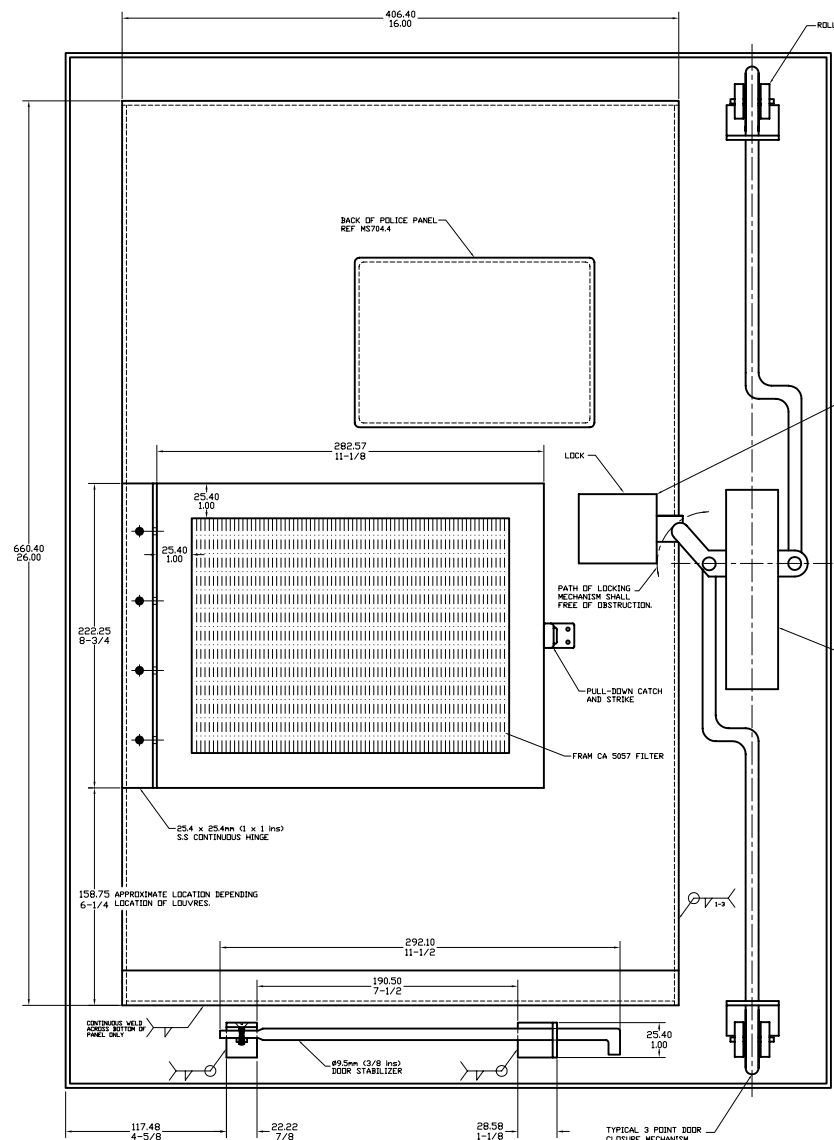


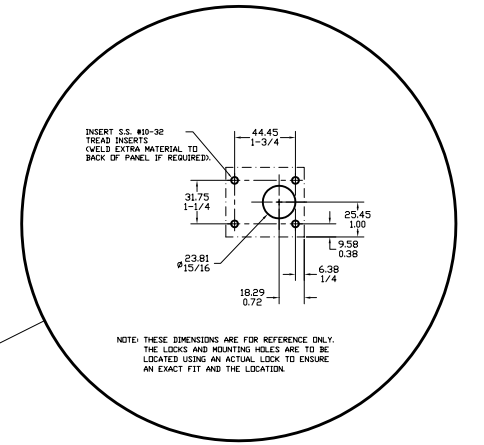
FRONT VIEW



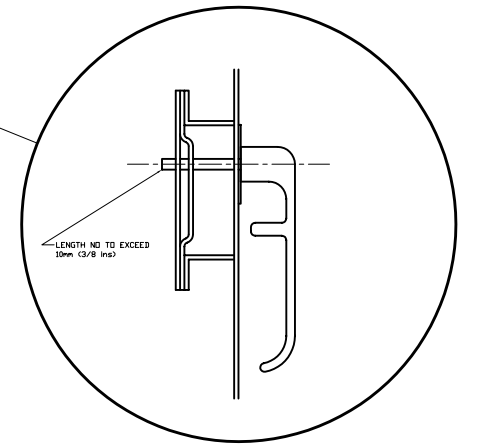
SIDE VIEW



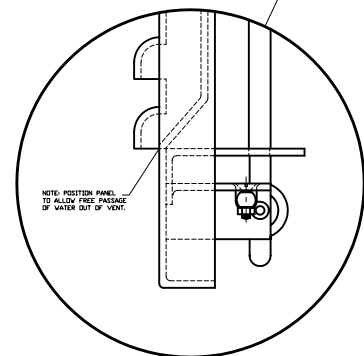
REAR VIEW



MAIN DOOR LOCK MOUNTING
NOT TO SCALE



HANDLE DETAIL
NOT TO SCALE



VENT DETAIL
NOT TO SCALE

FINISH: GREY POWDER PAINT (Protech Powder #PS211A4 OR TEC APP. EQUIVALENT).

MATERIAL: 3.2mm (1/8 in) ALUMINUM UNLESS OTHERWISE NOTED.

DIMENSIONS: MILLIMETERS INCHES

TOLERANCES: GENERAL - ±1.6mm (1/16 in)

Province of British Columbia
Ministry of Transportation and Highways
Highway Engineering Branch - Electrical (TEC)

SCALE 3:8

No.	Description	Date
J	XXX	XXX
I	XXX	XXX
H	XXX	XXX
G	XXX	XXX
F	XXX	XXX
E	XXX	XXX
D	XXX	XXX
C	XXX	XXX
B	TEC SHOP UPGRADE	8/94
A	DRAWING ISSUED	4/93

REVISION

"B" CABINET DOOR

XXX-XXX-XXX

Date _____ Approved _____ Drawing No. _____
Chief Highway Engineer MS1101.2 B