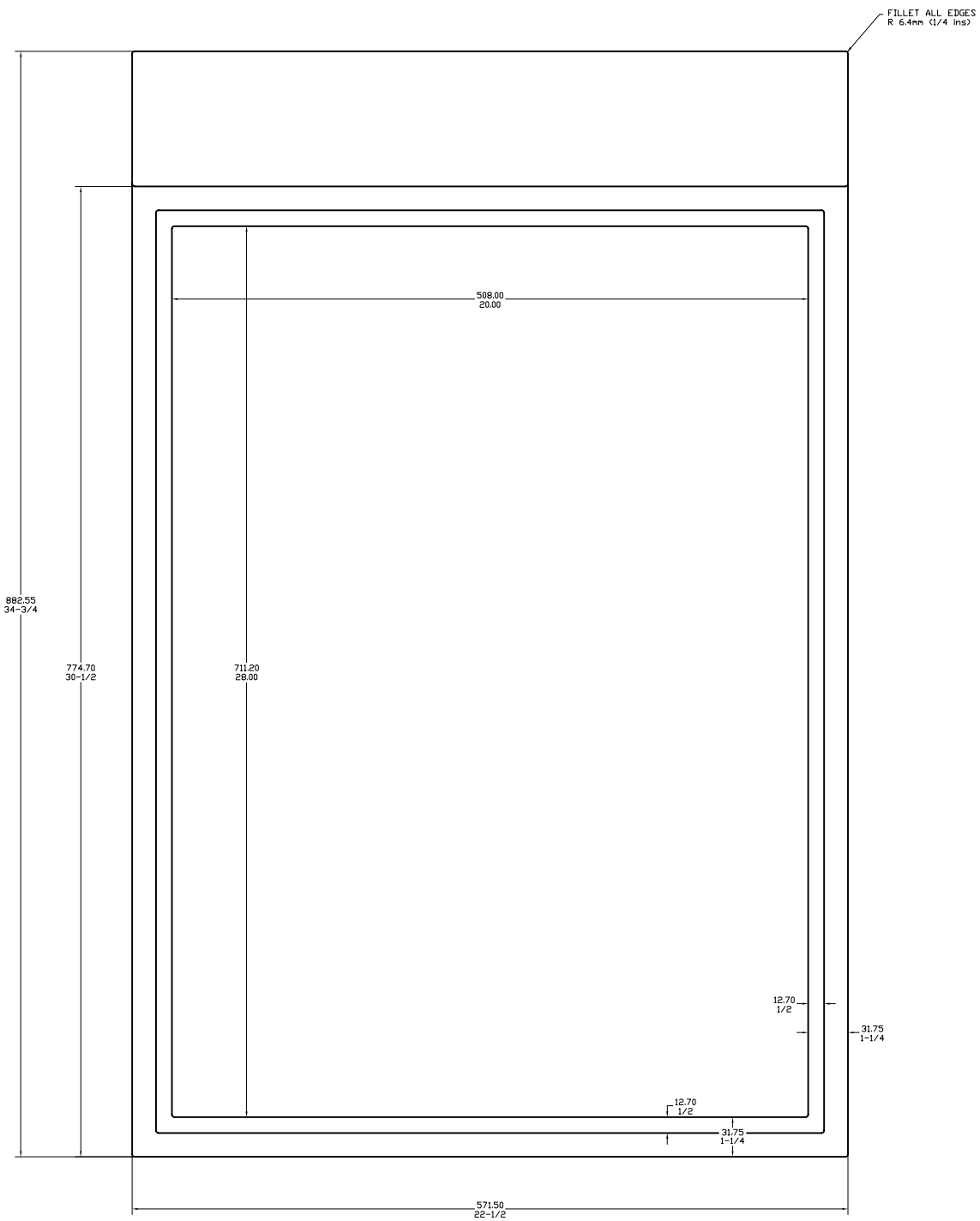


SIDE VIEW



FRONT VIEW

FINISH: GREY POWDER PAINT (Protech Powder #PS211A4 OR TEC APP. EQUIVALENT).

MATERIAL: 3.2mm (1/8 ins) ALUMINUM

DIMENSIONS: MILLIMETERS
INCHES

TOLERANCES: GENERAL - ±1.6mm (1/16 ins)

SCALE 2:5



Province of
British Columbia

Ministry of
Transportation
and Highways

Highway Engineering Branch - Electrical (TEC)

No.	Description	Date
J	XXX	XXX
I	XXX	XXX
H	XXX	XXX
G	XXX	XXX
F	XXX	XXX
E	XXX	XXX
D	XXX	XXX
C	XXX	XXX
B	TEC SHOP UPGRADE	8/94
A	DRAWING ISSUED	4/93

REVISION

"B" CABINET
EXTERIOR DIMENSIONS

XXX-XXX-XXX

Date Approved

Drawing No.

Chief Highway Engineer

MS1101.1

B