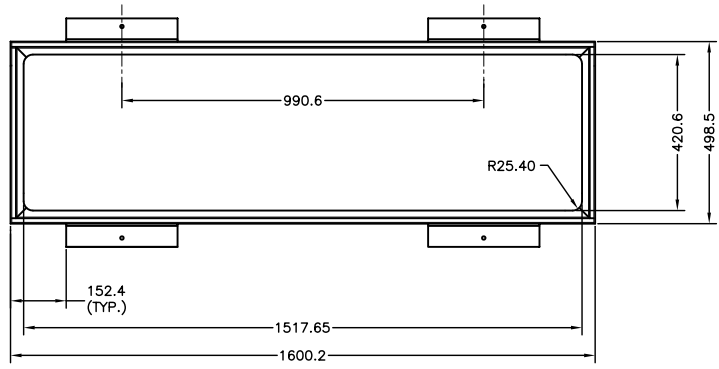


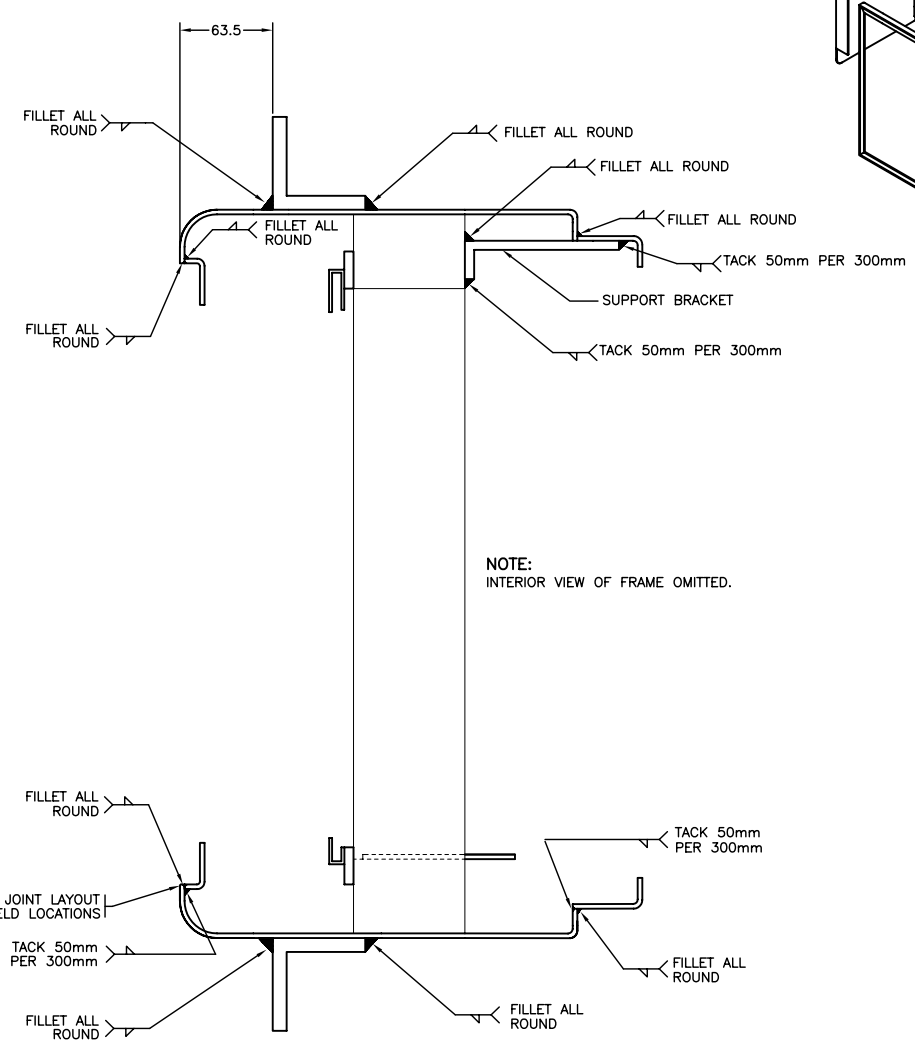
NOTE:
SHOWN WITH RECESSED SHOULDER IN PLACE.

FRONT VIEW



NOTE:
SHOWN WITH RECESSED SHOULDER IN PLACE.

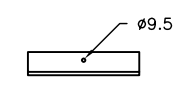
REAR VIEW



NOTE:
INTERIOR VIEW OF FRAME OMITTED.

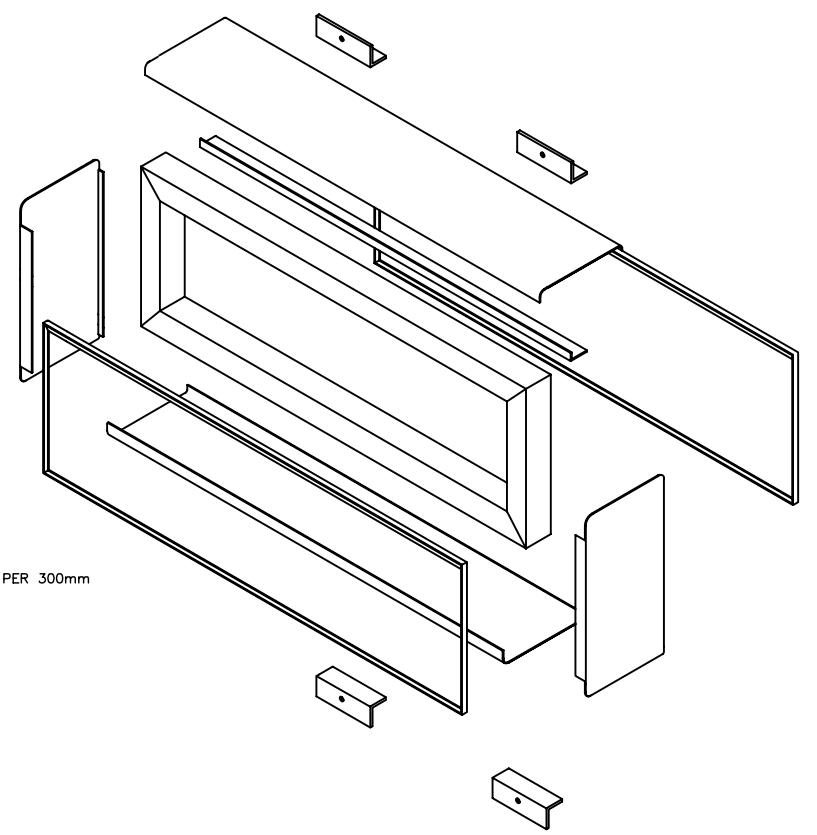
SECTION A
N.T.S.

MOUNTING BRACKETS:
4 BRACKETS:
63.5mm x 63.5mm x 9.5mm x 304.8mm LONG
WELD ALL ROUND.

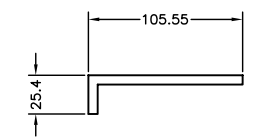


MOUNTING BRACKETS

TOLERANCES: GENERAL - ±1.6mm (1/16 ins)



ISOMETRIC VIEW
N.T.S.



6.35mm x 104.76mm x 25.4mm x 1422.4mm

SUPPORT BRACKET
N.T.S.

ALL DIMENSIONS ARE IN MILLIMETERS
UNLESS NOTED OTHERWISE

No.	Description	Date
J		
I		
H		
G		
F		
E		
D		
C		
B		
A	GENERAL REVISIONS	JUN03
	REVISION	

SIX CHARACTER CHANGEABLE MESSAGE SIGN

ENCLOSURE DETAILS (SHEET 1 OF 2)



Ministry of
Transportation
and Highways

Drawing No.
MS730.9

A