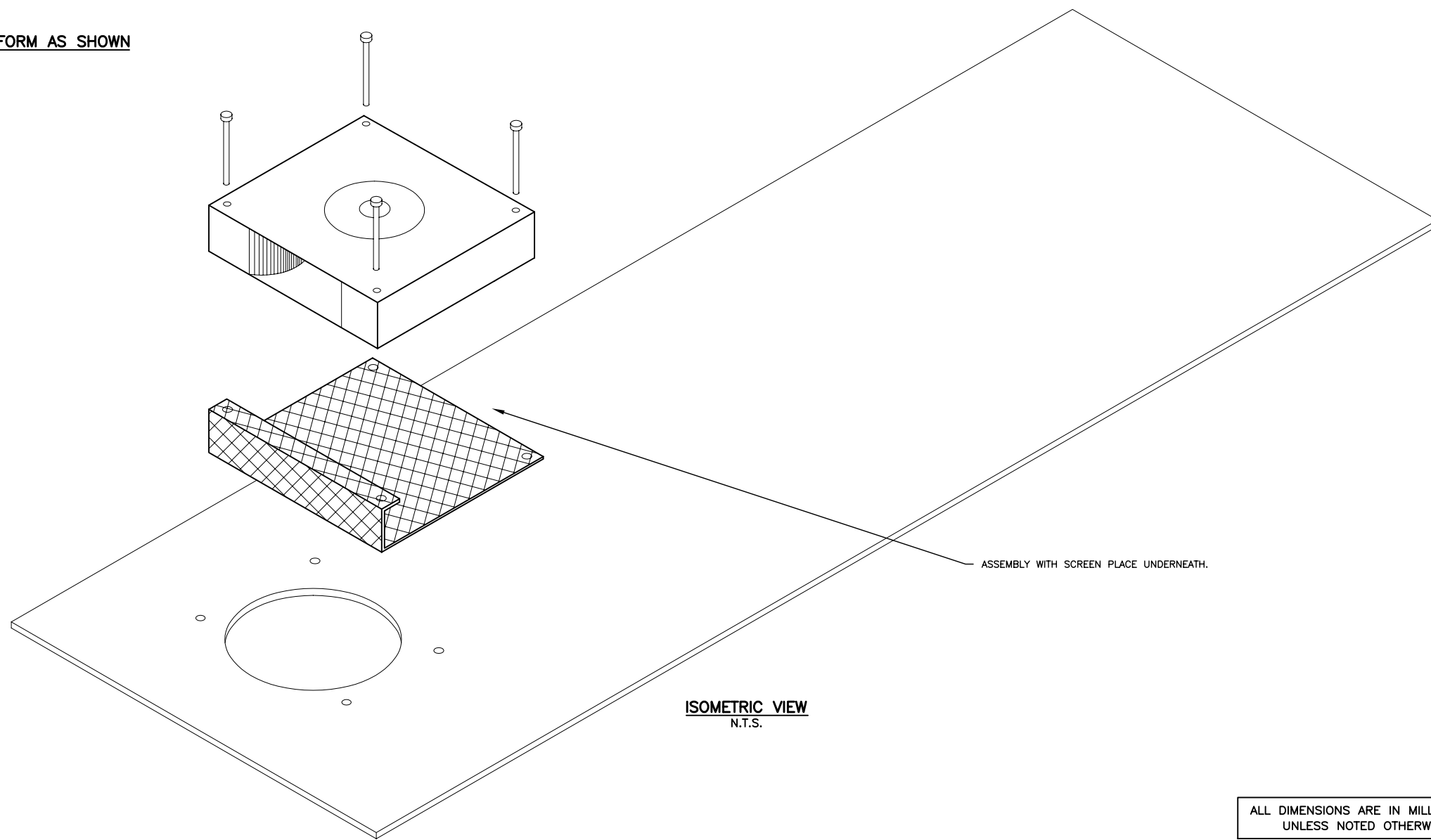


EXPANDED ALUMINUM FORM AS SHOWN



ALL DIMENSIONS ARE IN MILLIMETERS
UNLESS NOTED OTHERWISE

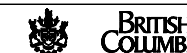
MATERIAL: EXPANDED AL. FLAT BOTH SIDES
3/8 WIDE BY 7/8 LONG
FINISH: 1) BREAK ALL SHARP EDGES
TOLERANCES: GENERAL - $\pm 1.6\text{mm}$ (1/16 ins)



No.	Description	Date
J		
I		
H		
G		
F		
E		
D		
C		
B		
A	GENERAL REVISIONS	JUN03
REVISION		

SIX CHARACTER CHANGEABLE MESSAGE SIGN

FAN GUARD DETAILS



Ministry of
Transportation
and Highways

Drawing No.
MS730.8

A