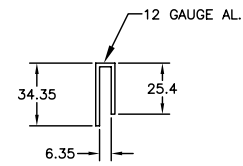
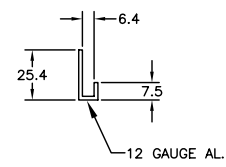


**END VIEW LOCATION DIAGRAM**  
N.T.S.

ALL WELDS:  
FILLET 50mm OF WELD EVERY 200mm  
OF LINEAR LENGTH

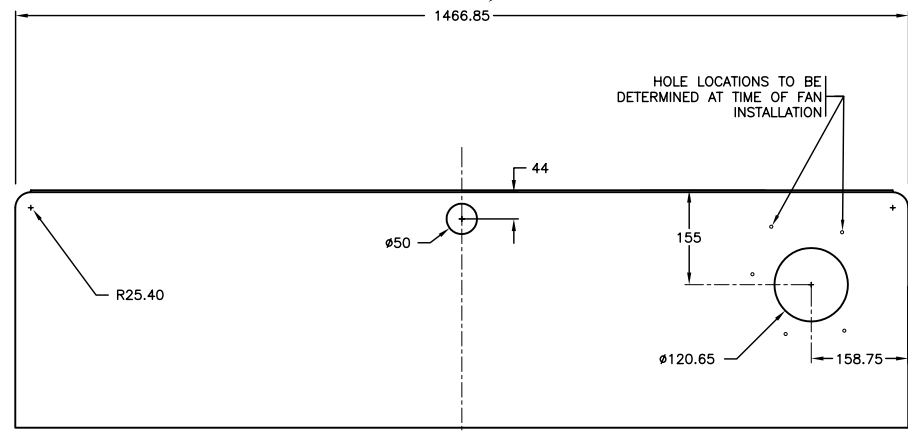


**UPPER MODULE GUIDE**  
N.T.S.

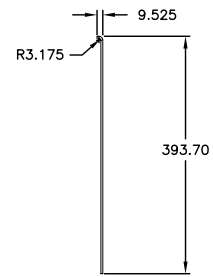


**LOWER MODULE GUIDE**  
N.T.S.

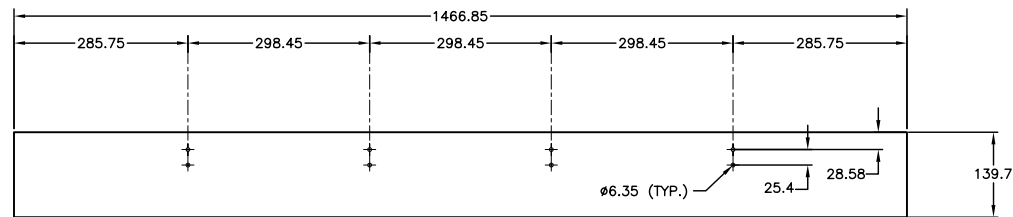
**NOTE:**  
THIS DIMENSION MAY CHANGE TO  
ALLOW CLEARANCE FOR GAS HINGE  
DOOR OPENING DEVICES.



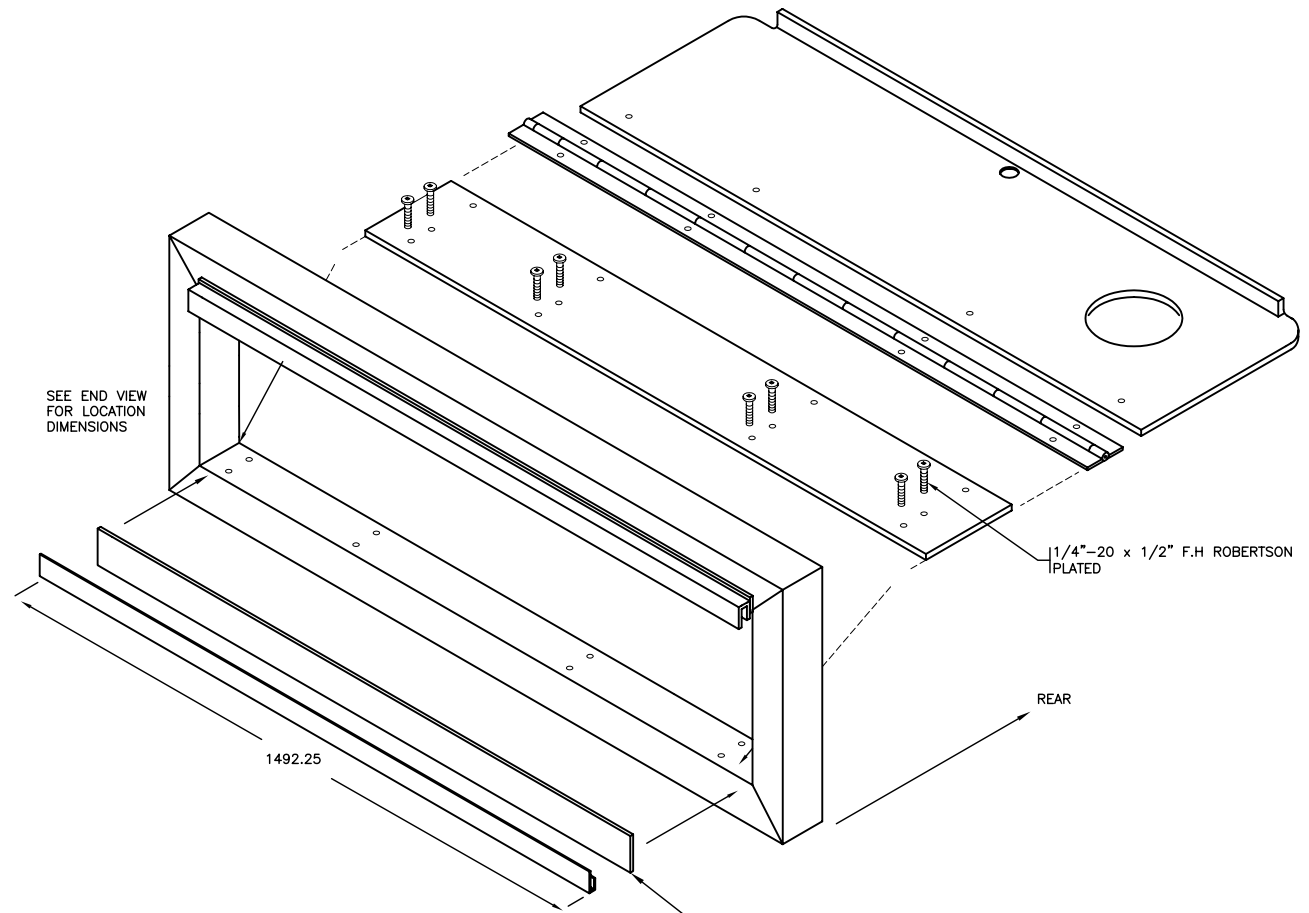
**HARDWARE MOUNTING SHELF**



**END VIEW**



**HARDWARE MOUNTING SPACER**



**ISOMETRIC VIEW**  
N.T.S.

GUIDE SPACER (UPPER & LOWER)  
1" x 1/4" x 60.75" FLAT BAR

1/4"-20 x 1/2" F.H ROBERTSON  
PLATED

SEE END VIEW  
FOR LOCATION  
DIMENSIONS



MATERIAL: 1/8" AL. UNLESS OTHERWISE SPECIFIED

TOLERANCES: GENERAL -  $\pm 1.6$ mm (1/16 ins)

ALL DIMENSIONS ARE IN MILLIMETERS  
UNLESS NOTED OTHERWISE

No.	Description	Date
J		
I		
H		
G		
F		
E		
D		
C		
B		
A	GENERAL REVISIONS	JUN03
	REVISION	

SIX CHARACTER CHANGEABLE MESSAGE SIGN

HARDWARE MOUNTING SHELF DETAILS



Drawing No.  
**MS730.7** A