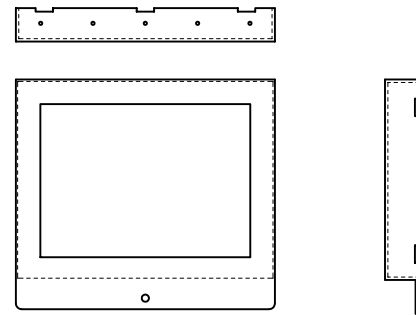
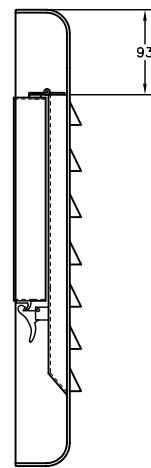


BACKING PLATE

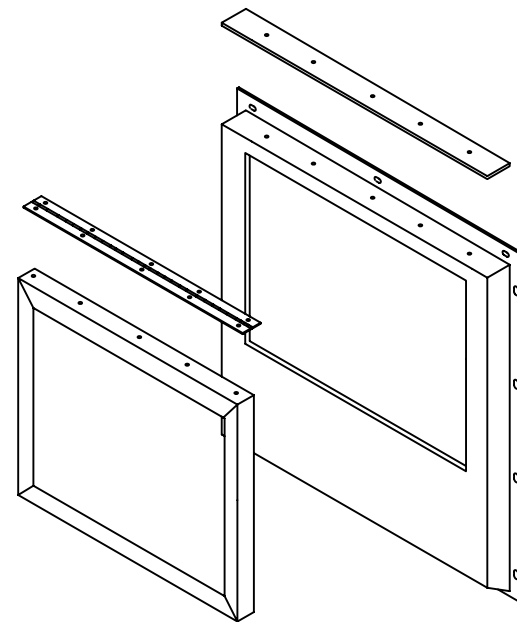


FILTER ENCLOSURE

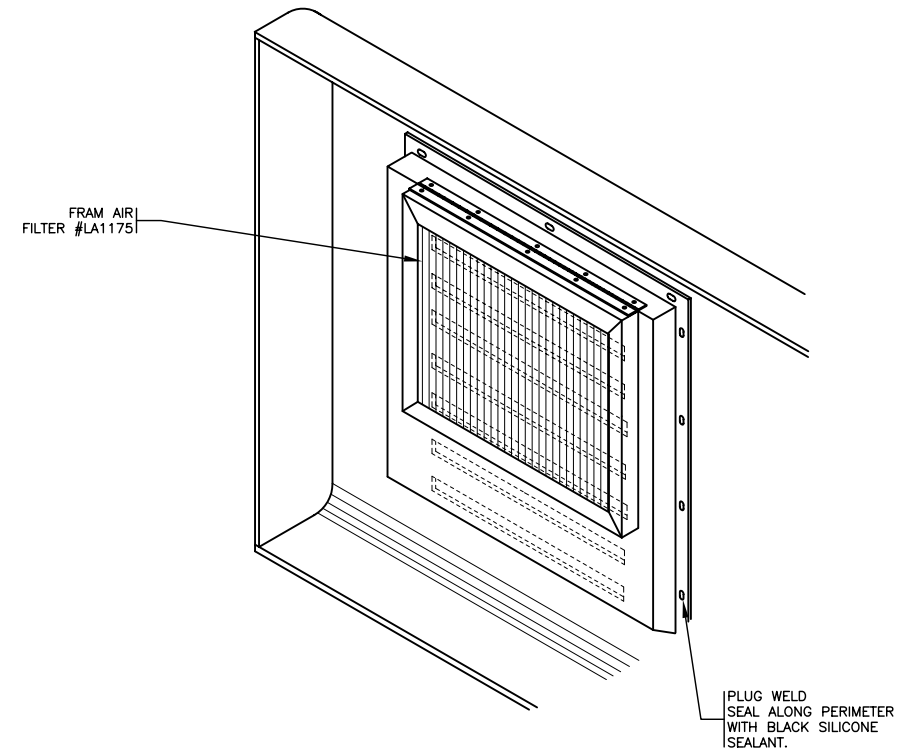


MOUNTING LOCATION OF AIR FILTER ASSEMBLY IN RELATION TO REAR DOOR

END VIEW



ISOMETRIC VIEW
N.T.S.



INTERIOR VIEW – LEFT SIDE
N.T.S.

MATERIAL: 12 GAUGE 2.05mm (.081")
5052-H32 ALUMINUM
FINISH: DE-BURR ALL ROUGH EDGES,
POWDER COAT SEMI-GLOSS BLACK
TOLERANCES: GENERAL – ±1.6mm (1/16 ins)

ALL DIMENSIONS ARE IN MILLIMETERS
UNLESS NOTED OTHERWISE



No.	Description	Date
J		
I		
H		
G		
F		
E		
D		
C		
B		
A	GENERAL REVISIONS	JUN03
	REVISION	

SIX CHARACTER CHANGEABLE MESSAGE SIGN

VENTILATION DETAILS & ASSEMBLY



Drawing No. **MS730.6** | **A**