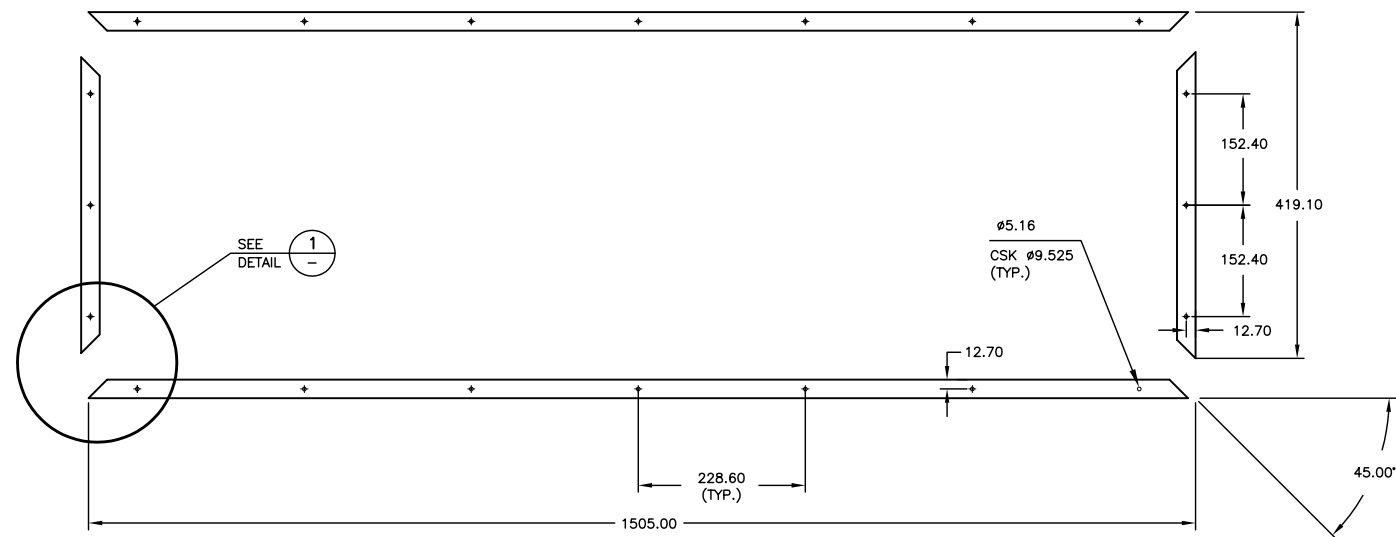
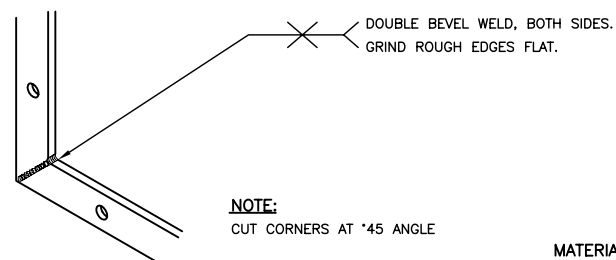


POLYCARBONATE SIGN FACE

NOTE:
HOLE PATTERN TO
MATCH PLEXIGLASS.



SIGN FACE FRAME



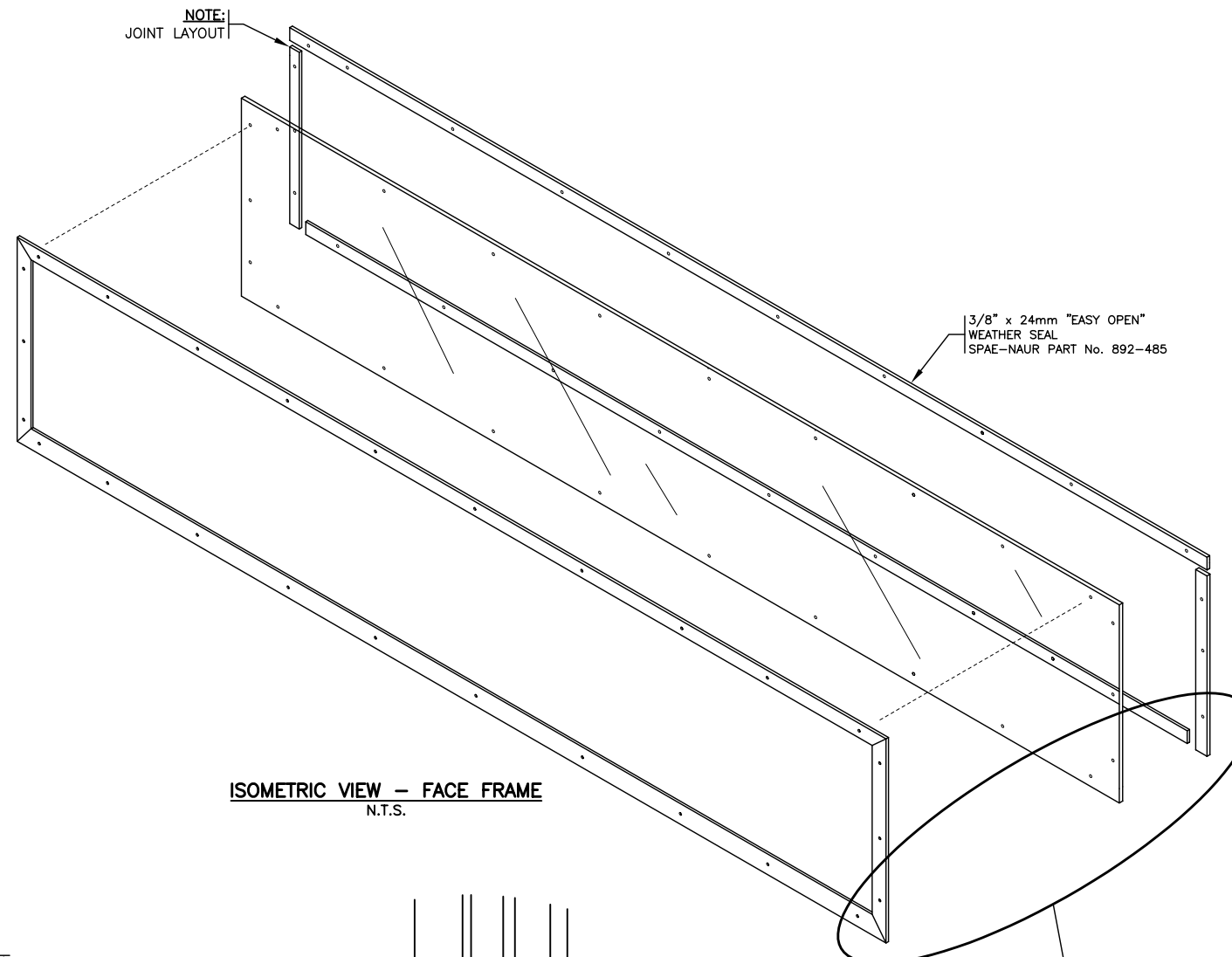
DETAIL 1
N.T.S.

MATERIAL: 6061-T6 AL. FLAT BAR 1" x 1" x 3/16"
POLYCARBONATE, CLEAR 1/4"

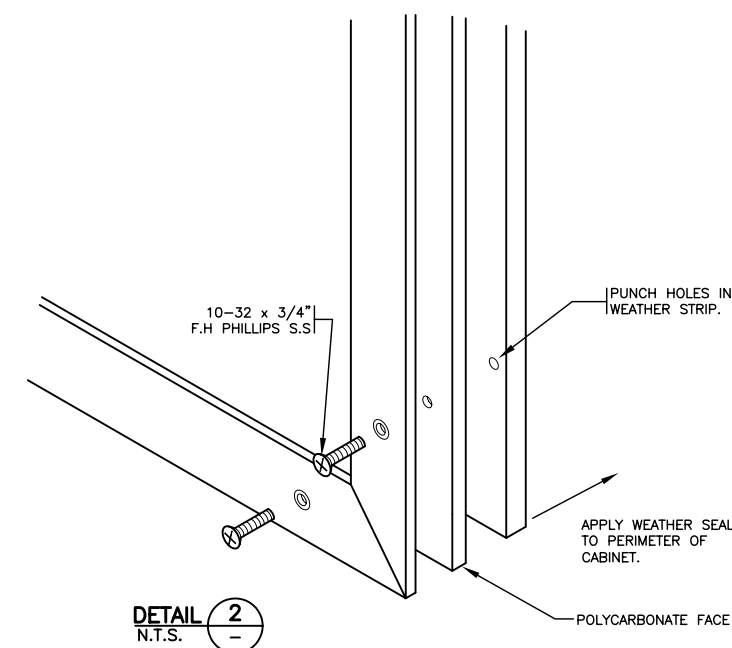
FINISH: DE-BURR ALL ROUGH EDGES.
BREAK ALL CORNERS

TOLERANCES: GENERAL - ±1.6mm (1/16 ins)

NOTE:
JOINT LAYOUT



ISOMETRIC VIEW - FACE FRAME
N.T.S.



DETAIL 2
N.T.S.

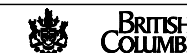
ALL DIMENSIONS ARE IN MILLIMETERS
UNLESS NOTED OTHERWISE

0mm 200mm

No.	Description	Date
J		
I		
H		
G		
F		
E		
D		
C		
B		
A	DRAWINGS AMALGAMATED	JUN03
REVISION		

SIX CHARACTER CHANGEABLE MESSAGE SIGN

DETAILS - FRONT FACE AND FRAME



Ministry of
Transportation
and Highways

Drawing No.
MS730.4

A