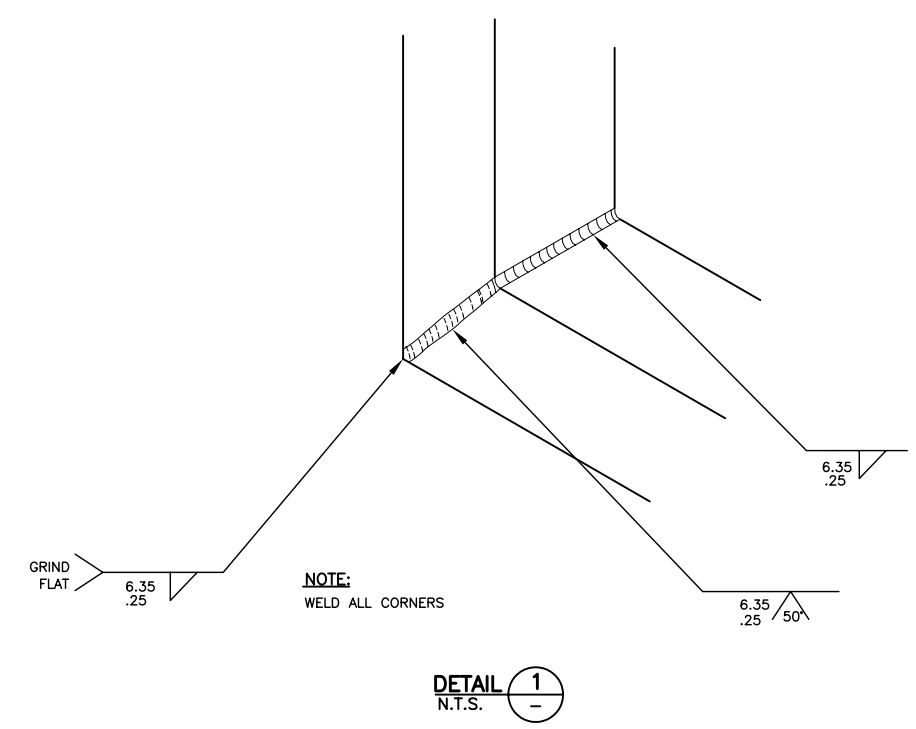
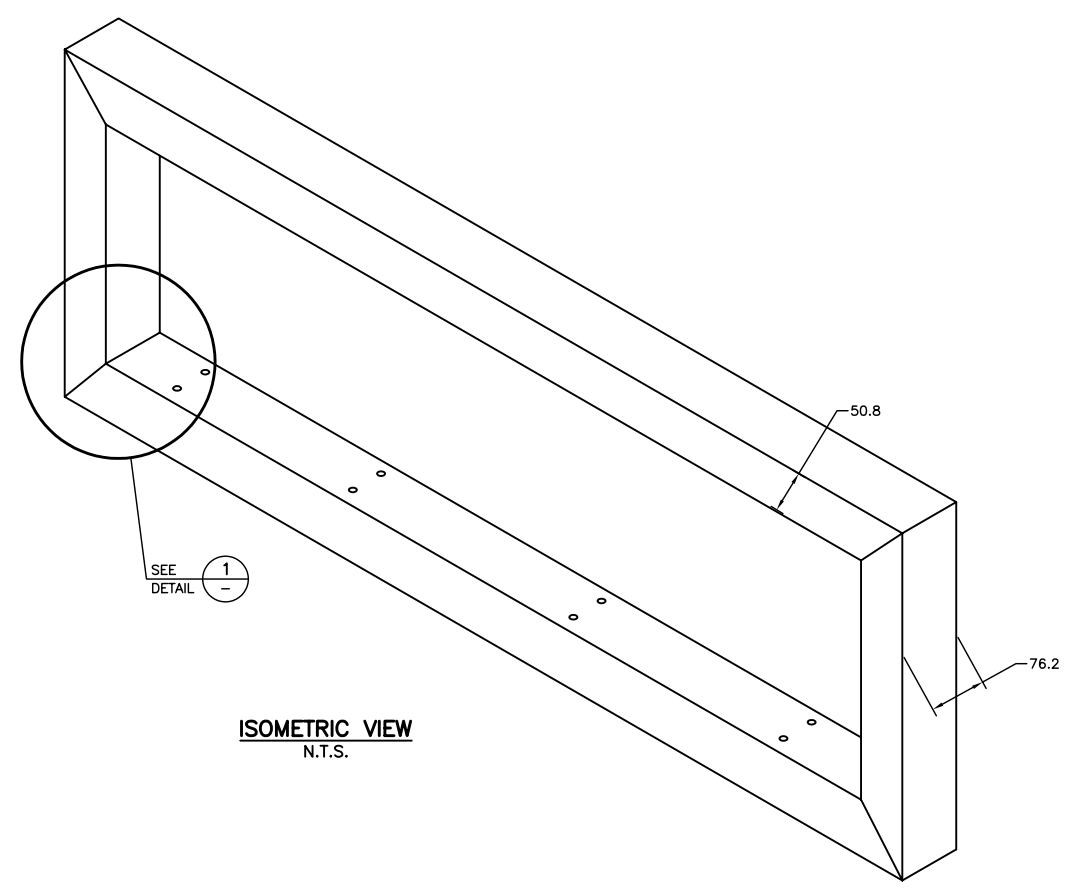


LOWER MEMBER

MATERIAL: 3 x 2 x 3/16" SQUARE TUBE AL.
 FINISH: DEBURR ALL ROUGH EDGES
 TOLERANCES: GENERAL - ±1.6mm (1/16 ins)



ALL DIMENSIONS ARE IN MILLIMETERS
UNLESS NOTED OTHERWISE



No.	Description	Date
J		
I		
H		
G		
F		
E		
D		
C		
B		
A	GENERAL REVISIONS	JUN03
REVISION		

SIX CHARACTER CHANGEABLE MESSAGE SIGN

INTERNAL FRAME DETAILS



Drawing No. MS730.3 A

FILE: P:\ACT\PROJECTS\030303_MATERIAL STANDARDS\WORKS\DRAWINGS\DESIGN DRAWINGS\CHAPTER25_06_CHARACTER CHANGEABLE MESSAGE_SIGN\MST303_0303.dwg Plot: 03_03_03 2:22 pm by: mtyler