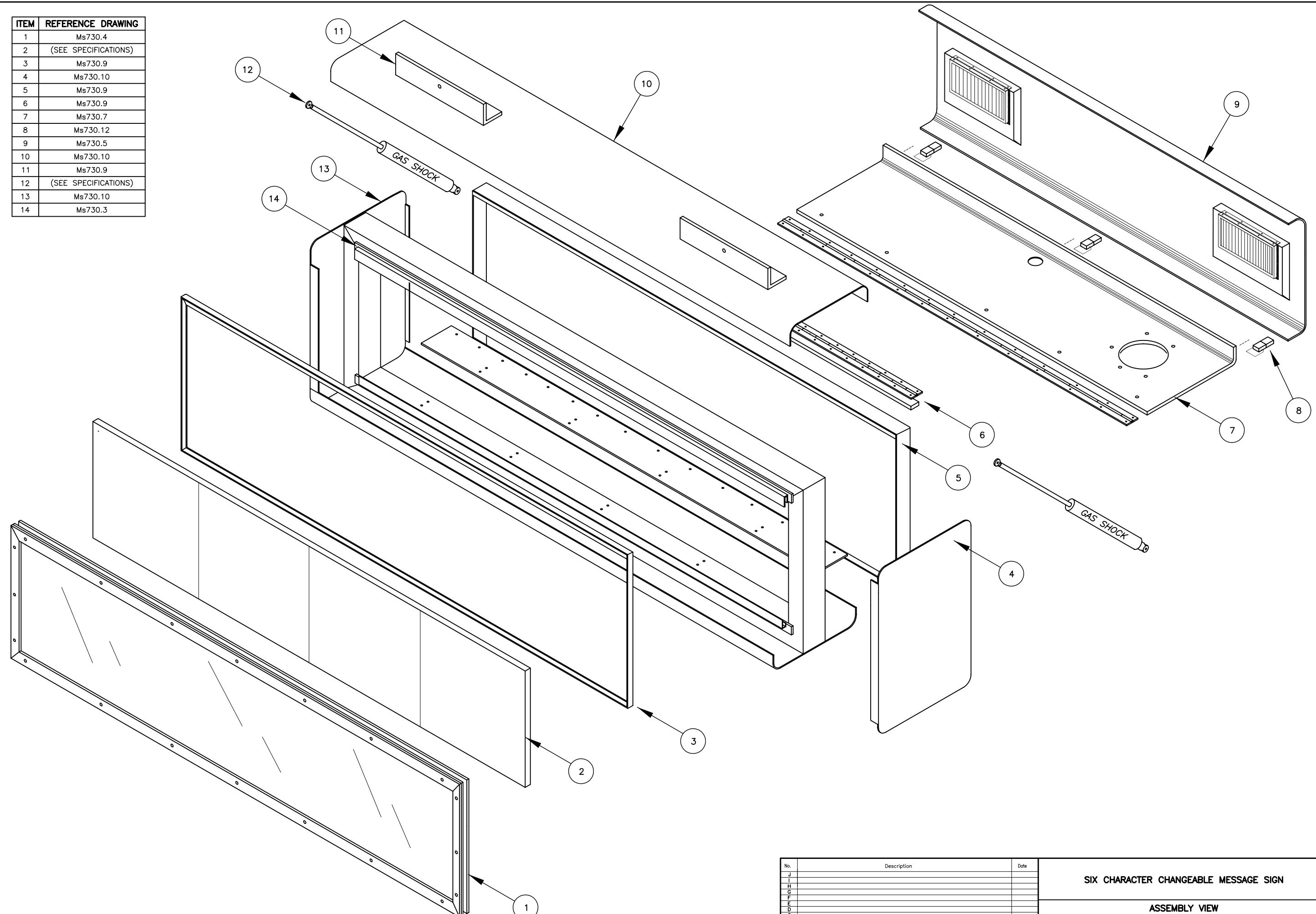



ITEM	REFERENCE DRAWING
1	Ms730.4
2	(SEE SPECIFICATIONS)
3	Ms730.9
4	Ms730.10
5	Ms730.9
6	Ms730.9
7	Ms730.7
8	Ms730.12
9	Ms730.5
10	Ms730.10
11	Ms730.9
12	(SEE SPECIFICATIONS)
13	Ms730.10
14	Ms730.3



No.	Description	Date	SIX CHARACTER CHANGEABLE MESSAGE SIGN	
J			ASSEMBLY VIEW  Ministry of Transportation and Highways	
I				
H				
G				
F				
E				
D				
C				
B				
A	CONVERT TO LED - DRAWING RE-NUMBERED	JUN03	Drawing No.	MS730.2
	REVISION			A

FILE: PLANT/PRODUCTS/VEHICLES/SIGNS/MATERIAL/STANDARDS/MATERIALS/SIX_CHARACTER_CHANGEABLE_MESSAGE_SIGN/MS730.2.DWG LAST MODIFIED: JUL 03 09 15:25 USER: rwhitby