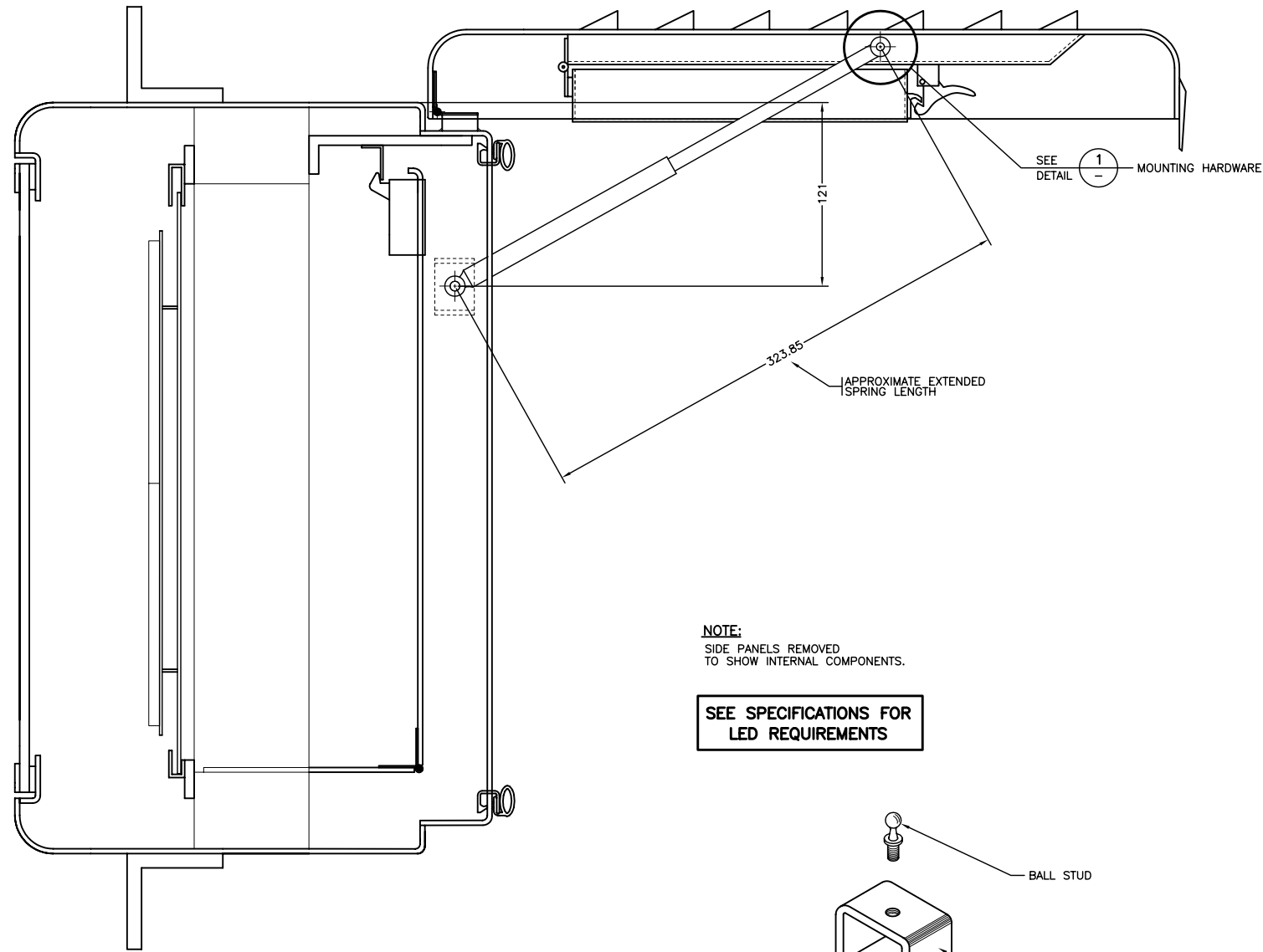
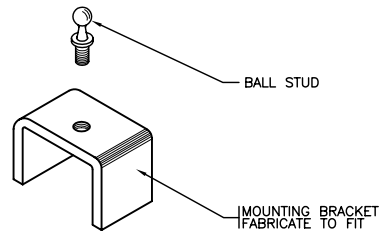


FILE: P:\ACT\PROJECTS\2003\2003\_MATERIAL\_STANDARD\WORKING\DRAWINGS\DESIGN\_DRAWINGS\COMPLETE\MSG\_CHANGEABLE\_MESSAGE\_SIGN\MST30\_12.DWG DATE: 2003 JUN 03 9:24:14 AM BY: 109/ty

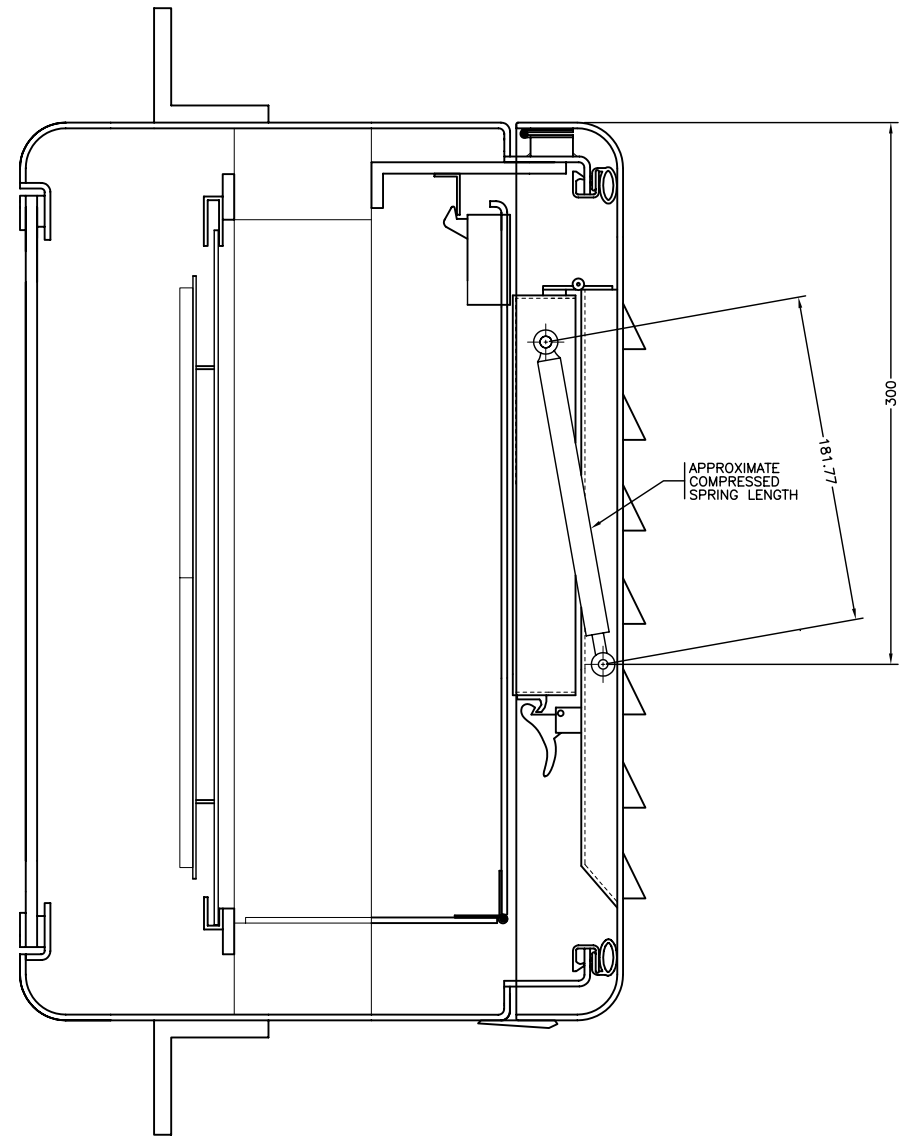


**NOTE:**  
 SIDE PANELS REMOVED  
 TO SHOW INTERNAL COMPONENTS.

**SEE SPECIFICATIONS FOR  
 LED REQUIREMENTS**



**DETAIL 1**  
 N.T.S.



ALL DIMENSIONS ARE IN MILLIMETERS  
 UNLESS NOTED OTHERWISE

DRAWING NOT TO SCALE  
 TOLERANCES: GENERAL - ±1.6mm (1/16 ins)

| No. | Description       | Date  |
|-----|-------------------|-------|
| J   |                   |       |
| I   |                   |       |
| H   |                   |       |
| G   |                   |       |
| F   |                   |       |
| E   |                   |       |
| D   |                   |       |
| C   |                   |       |
| B   |                   |       |
| A   | GENERAL REVISIONS | JUN03 |
|     | REVISION          |       |

SIX CHARACTER CHANGEABLE MESSAGE SIGN

ASSEMBLY DETAILS (SHEET 2 OF 2)



Drawing No.  
**MS730.12**

A