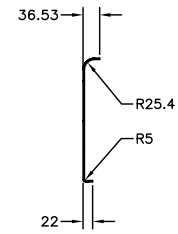
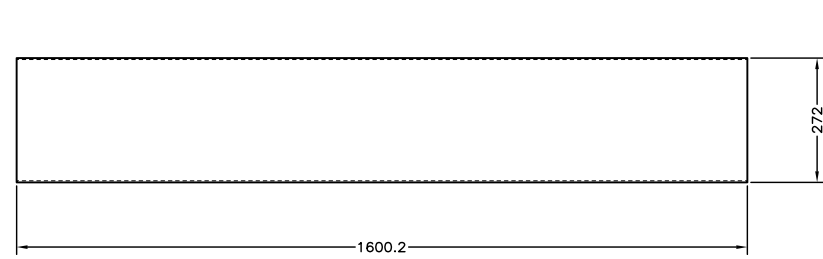
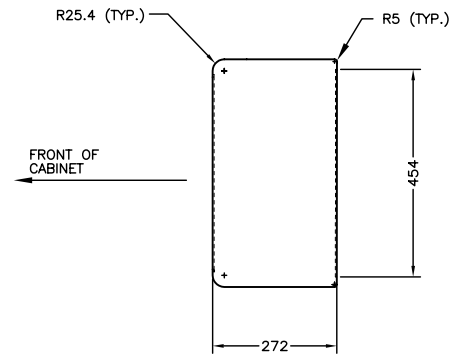


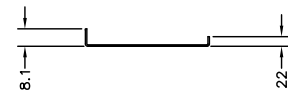
FILE: P:\ACTIVELY\PROJECTS\030303_MATERIAL_STANDARDS\WORKING\DRAWINGS\DESIGN_DRAWINGS\COMPONENTS_01_CHARACTER_CHANGEABLE_MESSAGE_SIGN\MET250_10.DWG DATE: 2016 JUN 03 09:23:43 BY: 109147



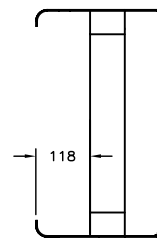
UPPER & LOWER CABINET SHELL



FRONT VIEW



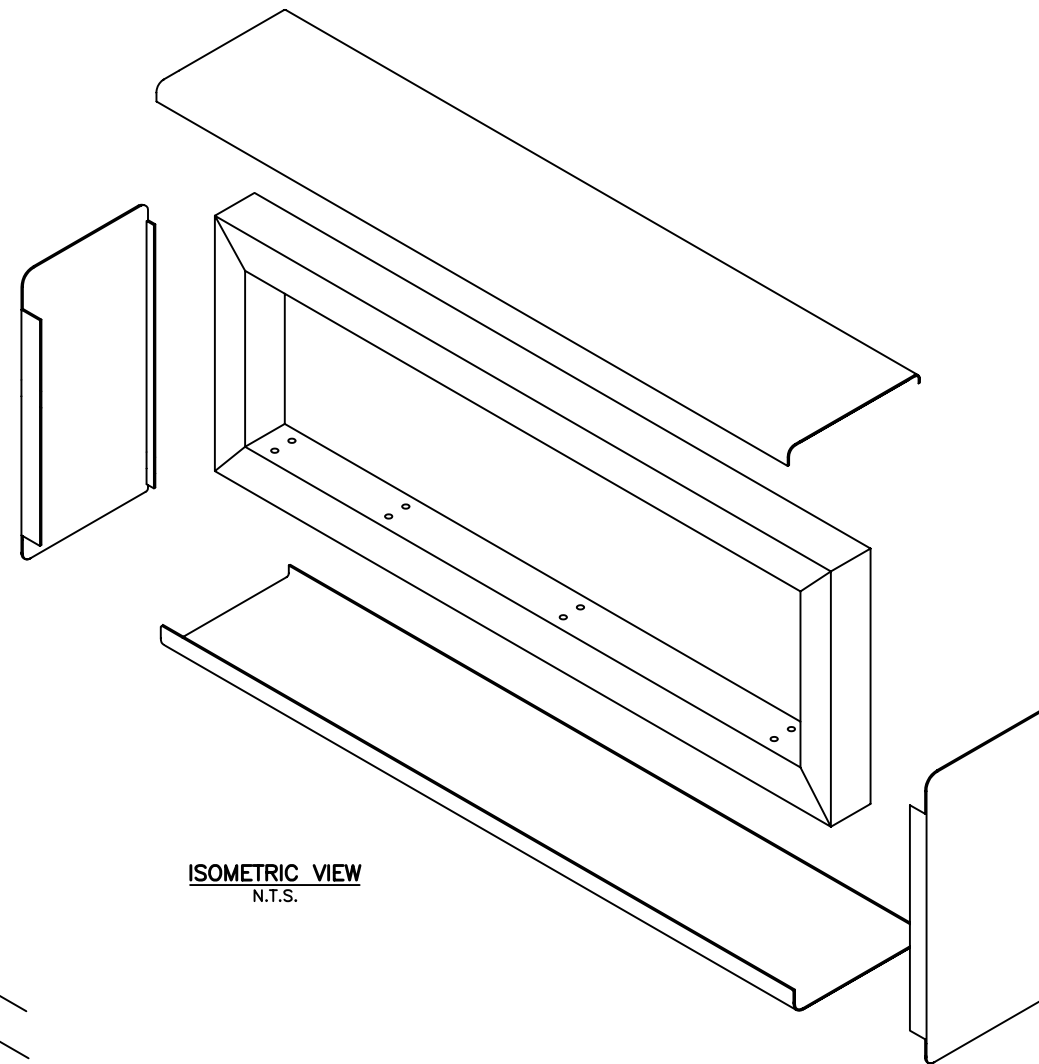
PLAN VIEW



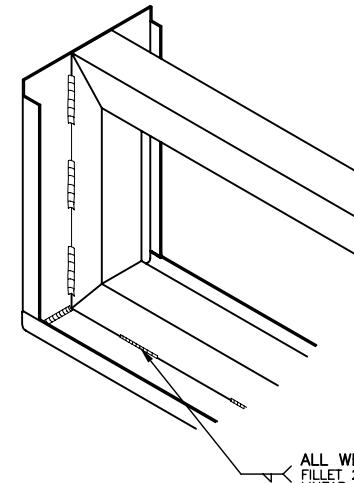
END VIEW

LOCATION OF INTERNAL FRAME IN RELATION TO SIDE PANELS.

SIDE PANELS



ISOMETRIC VIEW
N.T.S.



DETAIL 1
N.T.S.

ALL WELDS:
FILLET 2" OF WELD PER 6" OF
LINEAR LENGTH.

TOLERANCES: GENERAL - ±1.6mm (1/16 ins)



ALL DIMENSIONS ARE IN MILLIMETERS
UNLESS NOTED OTHERWISE

No.	Description	Date
J		
I		
H		
G		
F		
E		
D		
C		
B		
A	GENERAL REVISIONS	JUN03
REVISION		

SIX CHARACTER CHANGEABLE MESSAGE SIGN

ENCLOSURE DETAILS (SHEET 2 OF 2)



BRITISH COLUMBIA

Ministry of
Transportation
and Highways

Drawing No.
MS730.10

A