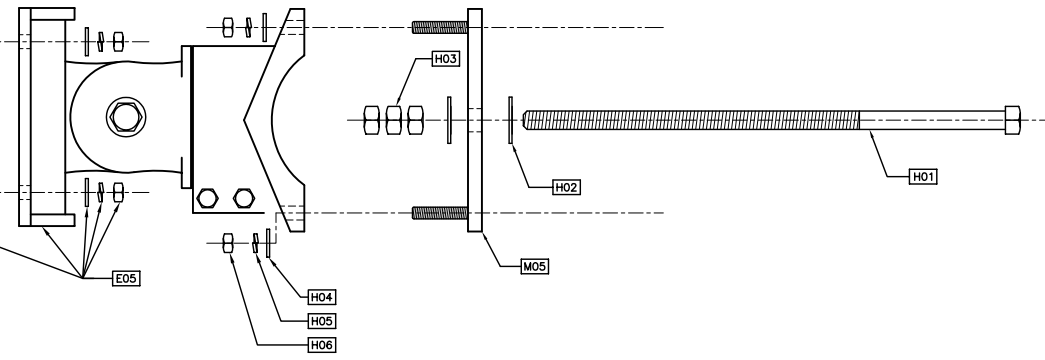
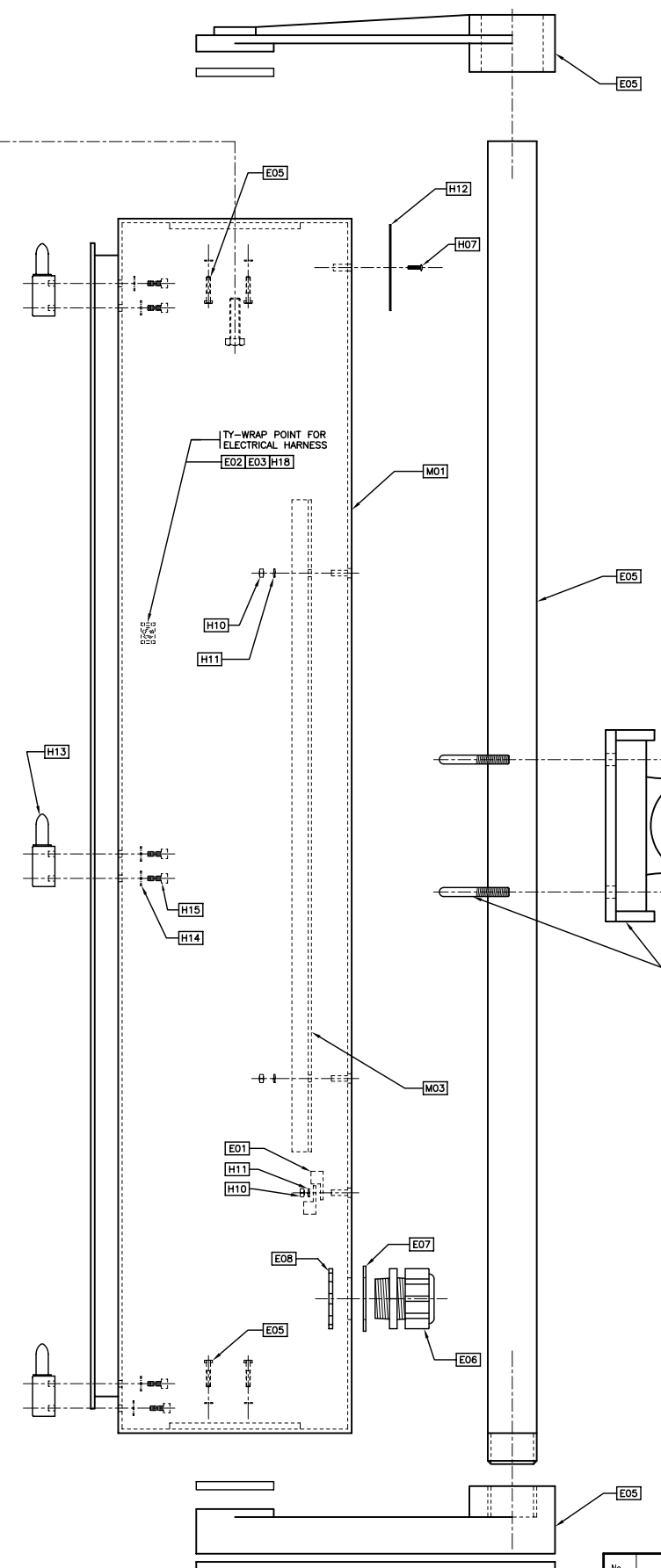
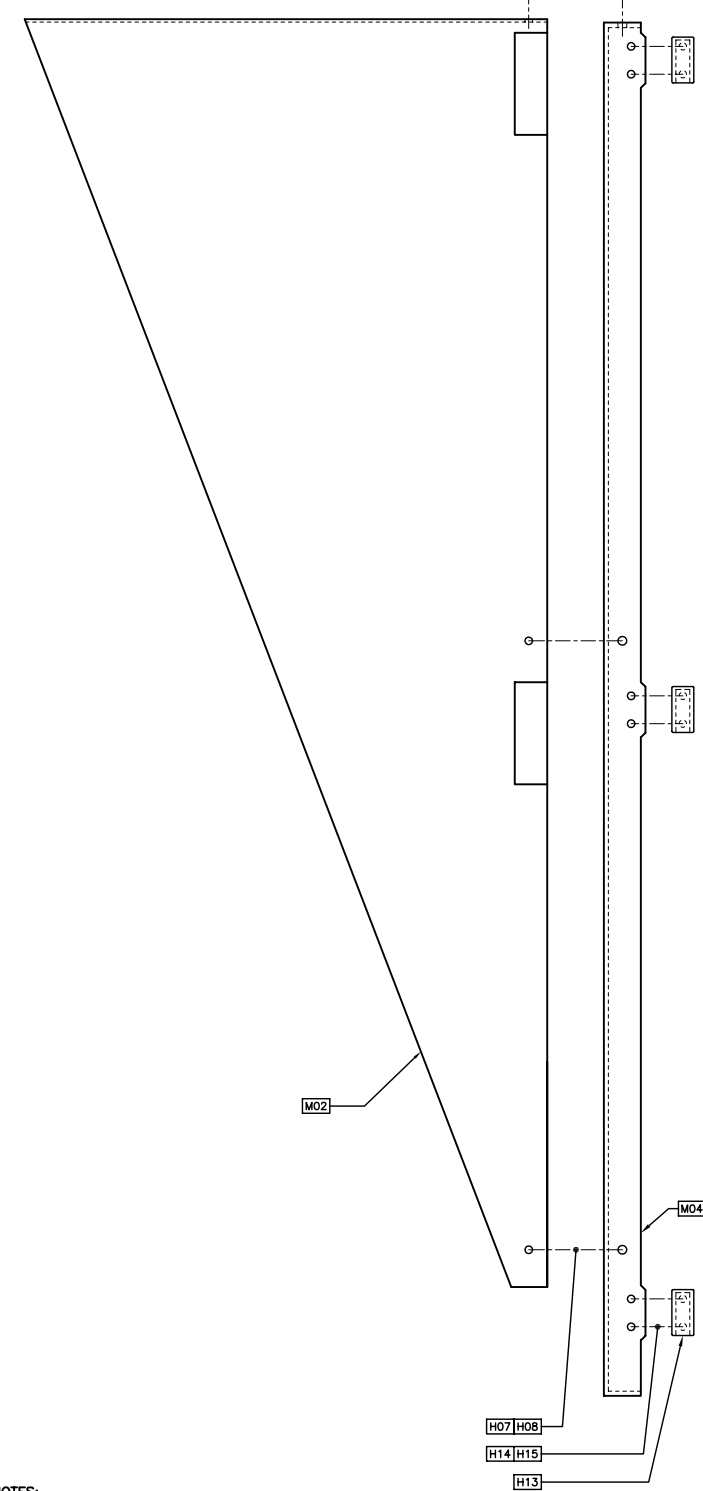


MANUFACTURED PART LIST			
REFERENCE	QTY	DESCRIPTION	DRAWING REFERENCE
M01	1	ENCLOSURE	MS710.2
M02	1	VISOR	MS710.4
M03	1	ELECTRICAL PANEL	MS710.5
M04	1	DOOR	MS710.3
M05	1	SHAFT MOUNTING PLATE	MS710.6

EQUIPMENT LIST				
REFERENCE	QTY	DESCRIPTION	MANUFACTURER	PART NUMBER
E01	AS REQ.	GROUND LUG	THOMAS & BETTS	ADR2
E02	AS REQ.	TY-WRAP HOLDER	PANDUIT	TM2S8-C
E03	AS REQ.	TY-WRAP	PANDUIT	PL11.5M
E04	AS REQ.	TY-WRAP	PANDUIT	PL12.0S
E05	AS REQ.	ARTICULATED SERRATED BRACKET ASSY.	PELCO	AB-0154-46
E06	AS REQ.	1" STRAIGHT LIQUID TIGHT FITTING	THOMAS & BETTS	5334
E07	AS REQ.	SEALING RING	THOMAS & BETTS	5264
E08	AS REQ.	1" LOCKNUT	N/A	N/A

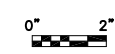
SEE SPECIFICATIONS FOR LED REQUIREMENTS



HARDWARE LIST				
REFERENCE	QTY	DESCRIPTION	MANUFACTURER	PART NUMBER
H01	AS REQ.	1/2" x 13" N.C. S.S. HEX BOLT (4" SHLDR)	N/A	N/A
H02	AS REQ.	1/2" x 1/8" THICK S.S. FLAT WASHER	N/A	N/A
H03	AS REQ.	1/2" N.C. S.S. HEX NUT	N/A	N/A
H04	AS REQ.	5/16" S.S. FLAT WASHER	N/A	N/A
H05	AS REQ.	5/16" S.S. LOCK WASHER	N/A	N/A
H06	AS REQ.	5/16" N.C. S.S. HEX NUT	N/A	N/A
H07	AS REQ.	8-32 x 3/8" S.S. PAN HEAD SQ. DRIVE	N/A	N/A
H08	AS REQ.	No. 8 S.S. LOCK WASHER	N/A	N/A
H09	AS REQ.	8-32 S.S. NUT	N/A	N/A
H10	AS REQ.	10-24 S.S. NUT	N/A	N/A
H11	AS REQ.	No. 10 S.S. LOCK WASHER	N/A	N/A
H12	1	MANUFACTURER'S NAME PLATE	T.B.D.	N/A
H13	3	IN-LINE HINGE	SOUTHC0	96-10-500-50
H14	12	No. 10 S.S. FLAT WASHER	N/A	N/A
H15	12	10-32 x 3/8" S.S. SOCKET HEAD CAP SCREW	N/A	N/A
C	3	DOOR LATCH	SOUTHC0	E3-10-505-50
H17	AS REQ.	GASKET 1/4" x 3/4"	FAUCHER	623-2079
H18	AS REQ.	8-32 x 1/4" S.S. PAN HEAD SQ. DRIVE	N/A	N/A
H19	AS REQ.	8-32 x 1/2" S.S. PAN HEAD SQ. DRIVE	N/A	N/A
H20	1	607 x 3/16" S.S. SAFETY CABLE	LEWMAR	7419x316
H21	2	PLAIN COPPER OVAL SLEEVE	LEWMAR	NIC0316
H22	1	5/16" S.S. DROP-FORGED EYE NUT	SPAE-NAUR	024-851
H23	1	3/8" S.S. SNAP HOOK	PAYNE'S	2450SS-10

NOTES:
 1. ALL DIMENSIONS AND EQUIPMENT LOCATIONS ARE APPROXIMATE ONLY. SUPPLIER TO PROVIDE ACCURATE DIMENSIONS AND EQUIPMENT LOCATIONS WITH SHOP DRAWINGS.
 2. EQUIPMENT AND HARDWARE QUANTITY SHALL BE SUPPLIED TO SUIT TYPE OF SIGN AS DEFINED IN THE SPECIAL PROVISIONS (RESTRICTED RIGHT TURN OR RESTRICTED LEFT TURN). PROVIDE DETAILED EQUIPMENT AND HARDWARE QUANTITIES WITH SHOP DRAWINGS.
 3. SAFETY CABLE, SUPPORT BRACKET ASSEMBLY, AND 1" LIQUID FLEX CONNECTOR ARE OPTIONAL AND SHALL BE SUPPLIED AS REQUIRED BY THE CONTRACT SPECIAL PROVISIONS.

MAIN ASSEMBLY - SIDE VIEW



No.	Description	Date
J		
I		
H		
G		
F		
E		
D		
C		
B		
A	CONVERT TO LED	MAY03

LED REGULATORY SIGN

MAIN ASSEMBLY

BRITISH COLUMBIA Ministry of Transportation and Highways

Drawing No. **MS710.1**