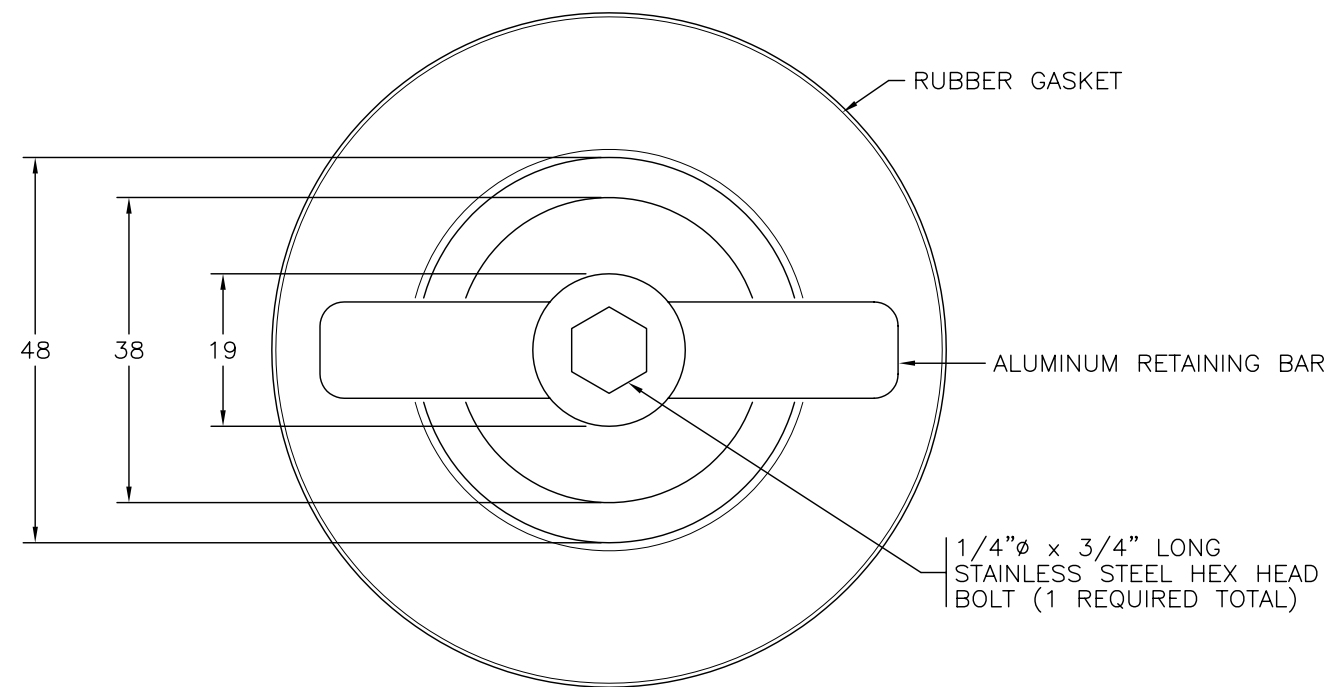


TOP VIEW



BOTTOM VIEW

FINIAL
(SN1676)

NOTES

1. SEE MATERIAL STANDARD SPECIFICATIONS SECTION 604 – TRAFFIC SIGNAL MOUNTING HARDWARE FOR ADDITIONAL INFORMATION.
 2. ALL CAST ALUMINUM PARTS SHALL BE PAINTED GREEN AFTER FABRICATION.
 3. ALL DIMENSIONS ARE IN MILLIMETRES UNLESS OTHERWISE NOTED.
 4. 'SN' DENOTES MINISTRY STOCK NUMBER.
- NOT TO SCALE

TRAFFIC SIGNAL MOUNTING HARDWARE
FINIAL DETAILS

Xref ..\msbase1