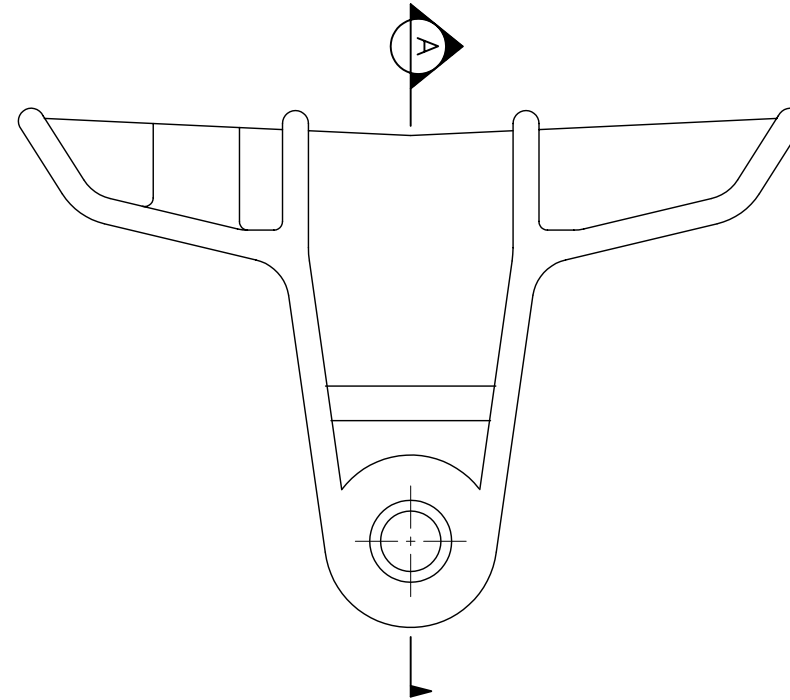
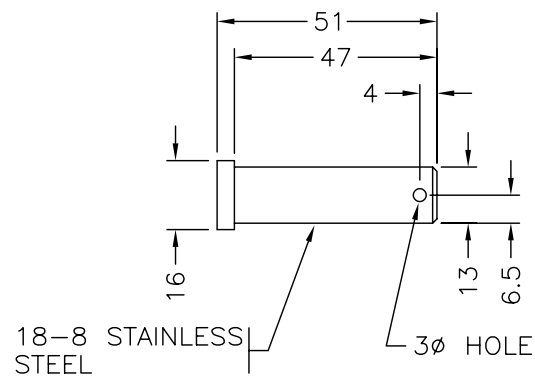


SECTION A

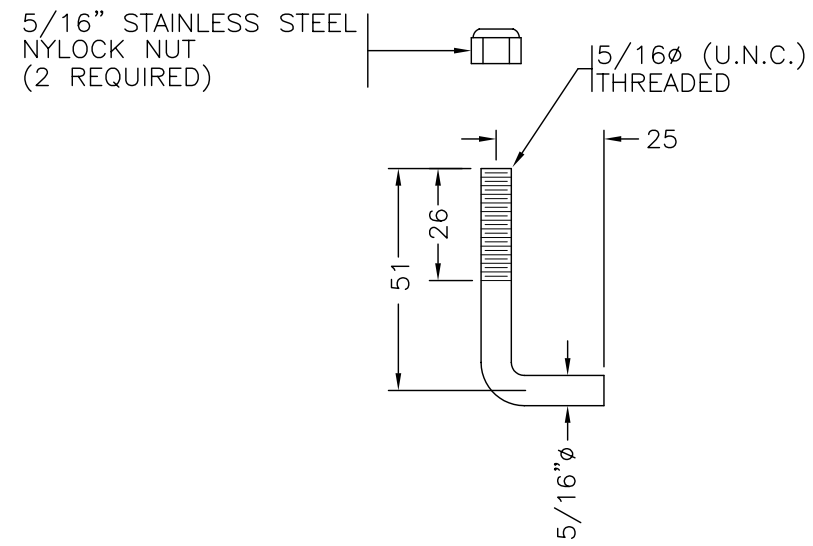


REAR VIEW

SPAN WIRE HANGER



CONNECTION PIN



CABLE CLAMP

SEE DRAWING MS632.1 FOR ADDITIONAL NOTES

NOT TO SCALE

TRAFFIC SIGNAL MOUNTING HARDWARE
SPAN WIRE HANGER DETAILS