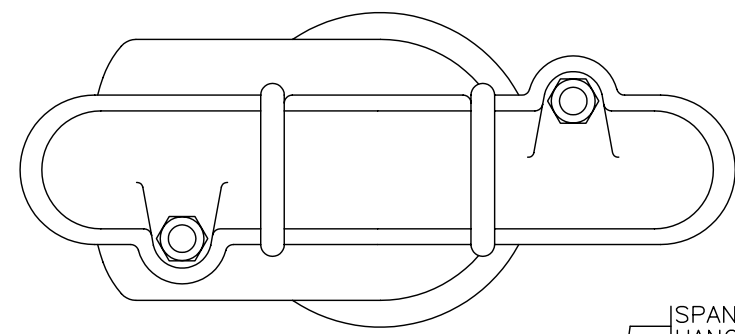
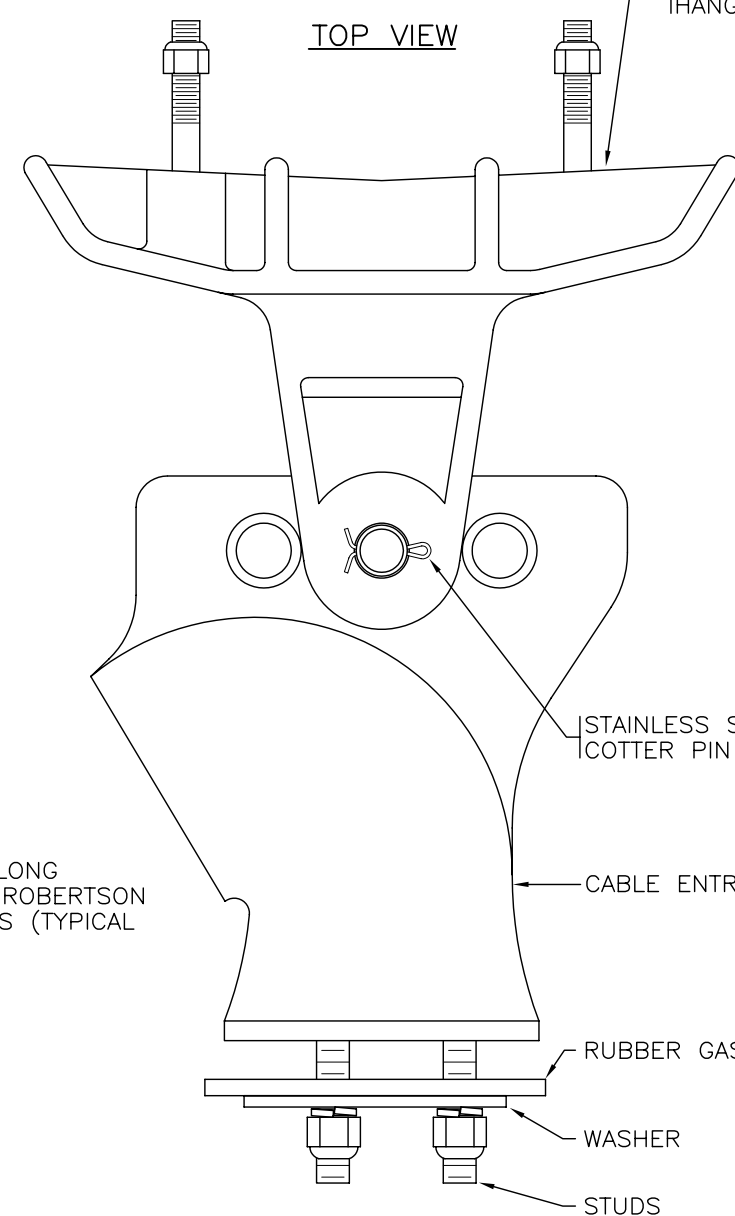


SIDE VIEW



TOP VIEW



FRONT VIEW

SPAN WIRE HANGER & CABLE ENTRANCE (SN1674)

NOTES

1. SEE MATERIAL STANDARD SPECIFICATIONS SECTION 604 - TRAFFIC SIGNAL HARDWARE FOR ADDITIONAL INFORMATION.
  2. ALL CAST ALUMINUM PARTS SHALL BE PAINTED GREEN AFTER FABRICATION.
  3. ALL DIMENSIONS ARE IN MILLIMETRES UNLESS OTHERWISE NOTED.
  4. 'SN' DENOTES MINISTRY STOCK NUMBER.
- NOT TO SCALE

TRAFFIC SIGNAL MOUNTING HARDWARE  
SPAN WIRE HANGER DETAILS