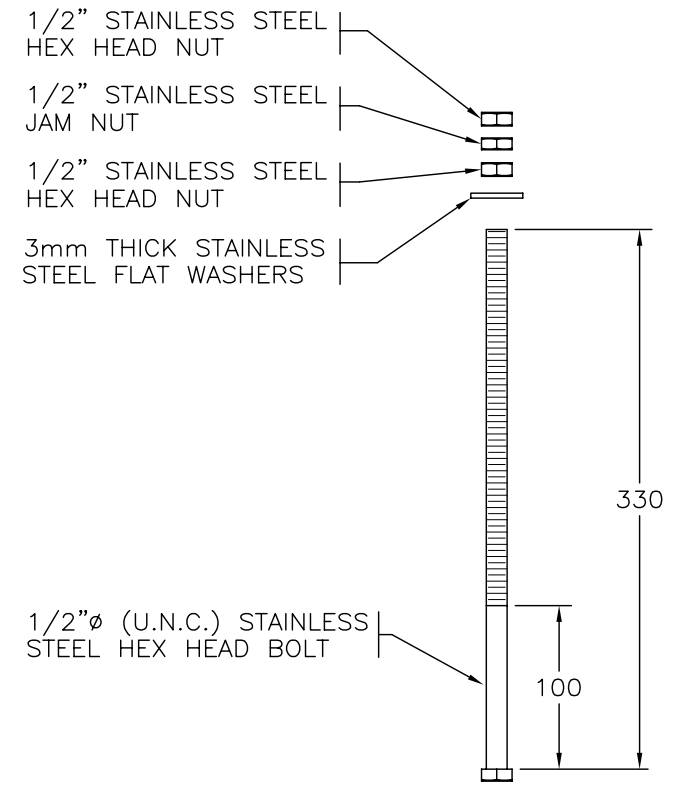


BACKER PLATE DETAIL



PLUMBIZER BRACKET BOLT DETAIL
(2 REQUIRED)

SEE DRAWING MS626.1 FOR ADDITIONAL NOTES.

NOT TO SCALE

TRAFFIC SIGNAL MOUNTING HARDWARE
MID SPAN – PLUMBIZER DETAILS