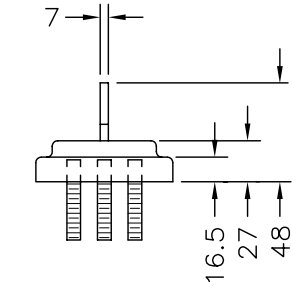
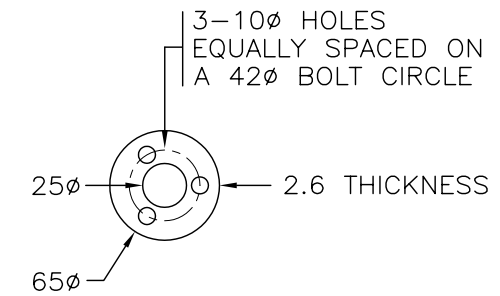


SIDE VIEW



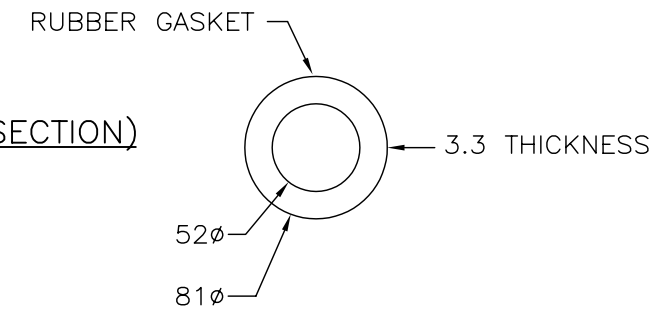
END VIEW

- CAST ALUMINUM
- CASTING THREADED TO ACCOMMODATE STUDS
- RUBBER GASKET (SEE DETAIL)
- STAINLESS STEEL WASHER (SEE DETAIL)
- 5/16"Ø STAINLESS STEEL NYLOCK NUTS (12 REQUIRED)



STAINLESS STEEL WASHER DETAIL

4 WAY SPREADER (T-SECTION)
(SN1683A)



RUBBER GASKET DETAIL

NOTES

1. SEE MATERIAL STANDARD SPECIFICATIONS SECTION 604 - TRAFFIC SIGNAL MOUNTING HARDWARE FOR ADDITIONAL INFORMATION.
2. ALL CAST ALUMINUM PARTS SHALL BE PAINTED GREEN AFTER FABRICATION.
3. ALL DIMENSIONS ARE IN MILLIMETRES UNLESS OTHERWISE NOTED.
4. 'SN' DENOTES MINISTRY STOCK NUMBER.
5. ALL BOLTS SHALL BE FULLY THREADED.

NOT TO SCALE

TRAFFIC SIGNAL MOUNTING HARDWARE
4 WAY T-SECTION SPREADER DETAILS