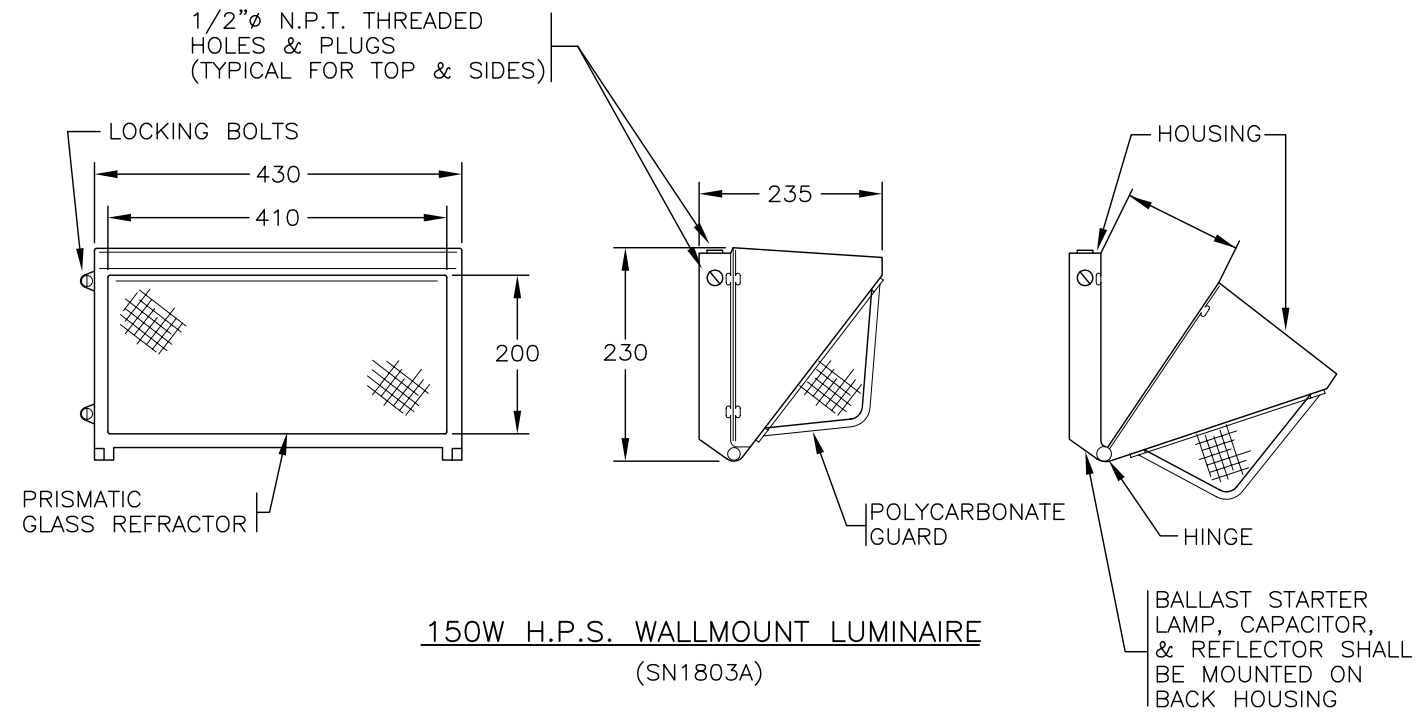


150W H.P.S. POST TOP LUMINAIRE
(SN1802A)



150W H.P.S. WALLMOUNT LUMINAIRE
(SN1803A)

NOTES

1. SEE MATERIAL STANDARD SPECIFICATIONS SECTION 501 - LUMINAIRES FOR ADDITIONAL INFORMATION.
2. MINIMUM SIZES SHOWN ABOVE.
3. ALL DIMENSIONS ARE IN MILLIMETRES.
4. 'SN' DENOTES MINISTRY STOCK NUMBER.

NOT TO SCALE

POST TOP & WALLMOUNT LUMINAIRES
DETAILS