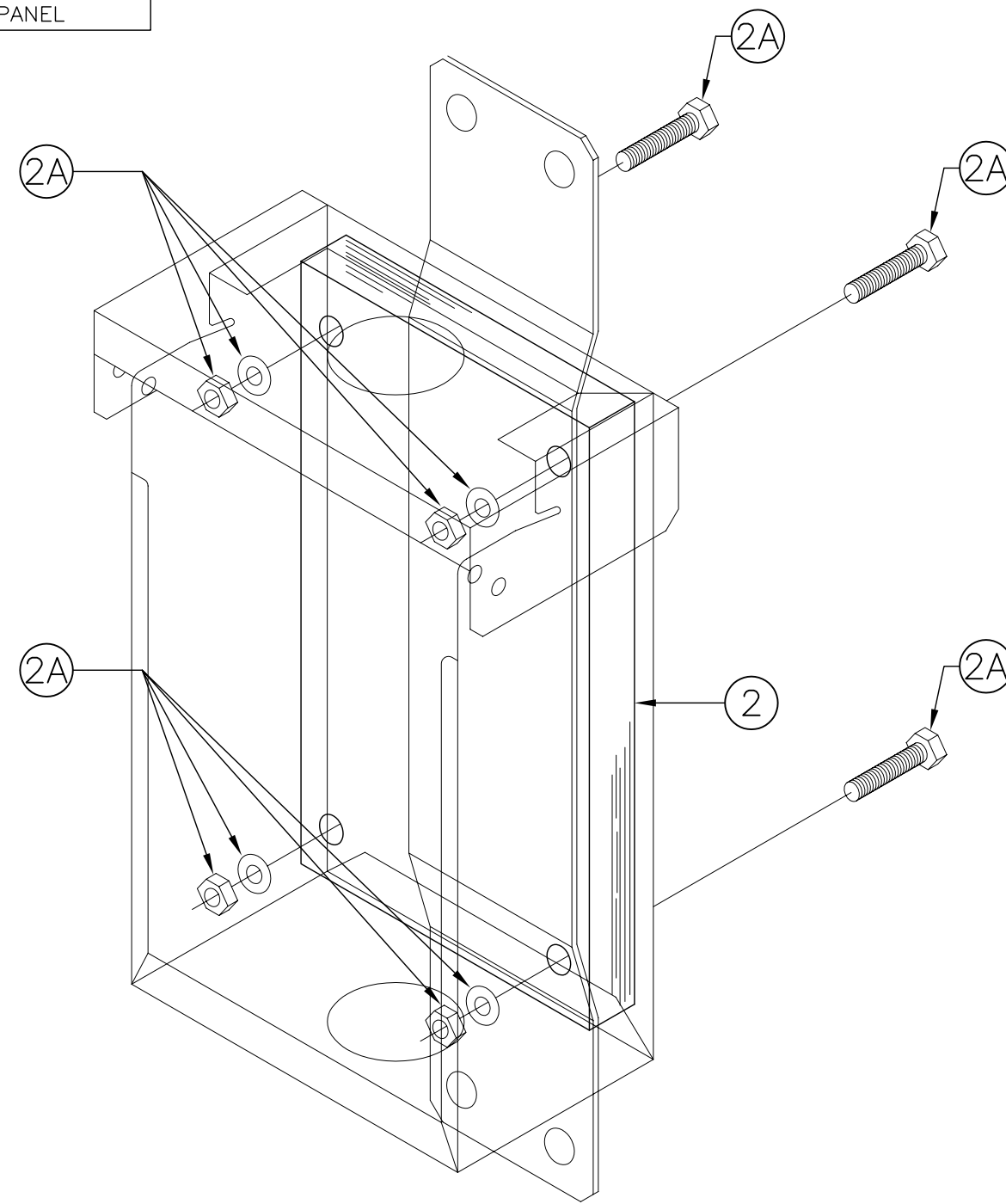


MOUNT PLYWOOD
IN PANEL



ASSEMBLY VIEW

SEE DRAWING MS420.1 FOR NOTES

NOT TO SCALE

TELEPHONE DEMARCATION PANEL
DETAILS