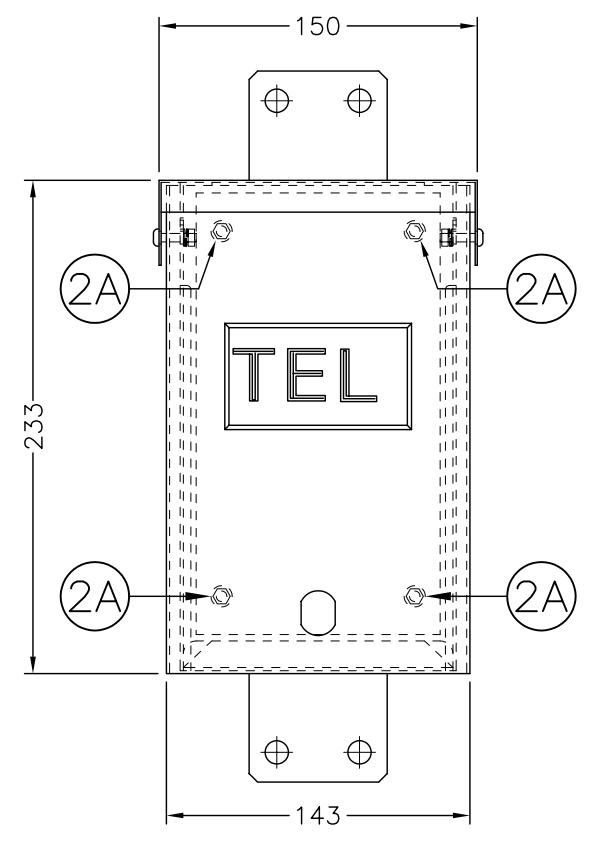
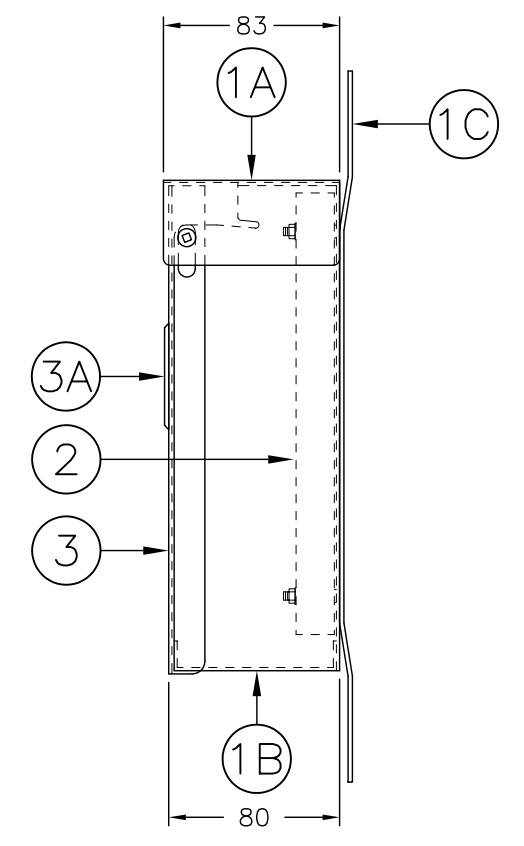


TOP VIEW



FRONT VIEW



SIDE VIEW

PANEL

SEE DRAWING MS420.1 FOR NOTES

SCALE 1:4

TELEPHONE DEMARCATION PANEL
DETAILS