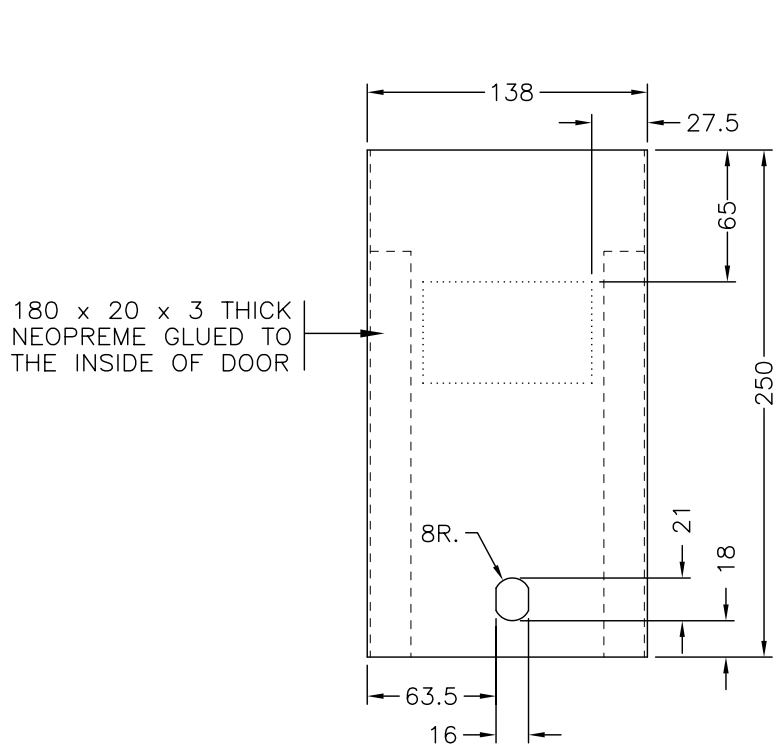
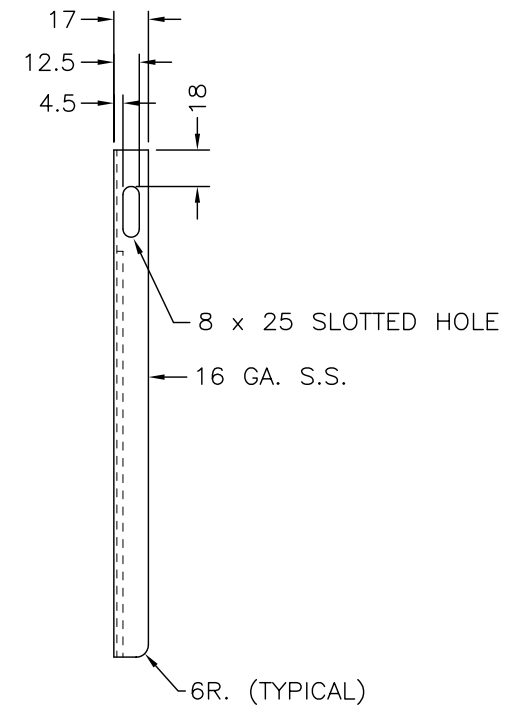


TOP VIEW

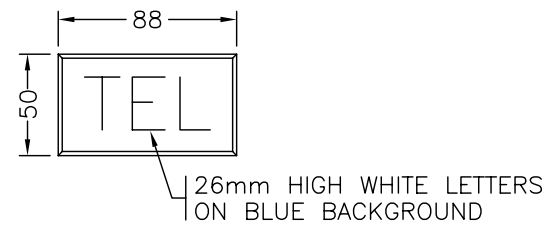


FRONT VIEW



SIDE VIEW

ITEM 3
(DOOR)



ITEM 3A
(LAMICOID NAME PLATE)

SEE DRAWING MS420.1 FOR NOTES

SCALE 1:4



DIMENSIONS FOR REFERENCE ONLY
MANUFACTURER TO VERIFY FOR PROPER FIT

TELEPHONE DEMARCATION PANEL
DETAILS