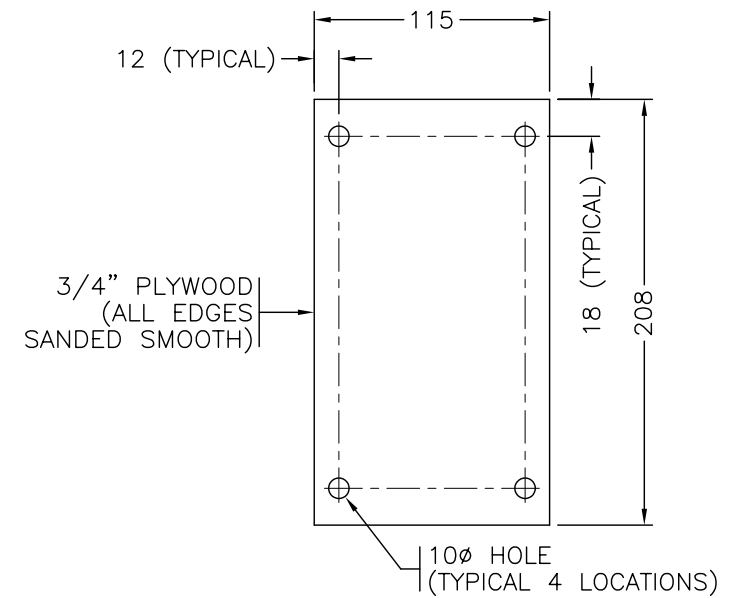


ITEM 1C  
(PANEL MOUNTING BRACKET)



ITEM 2  
(WOODEN MOUNTING BLOCK)

SEE DRAWING MS420.1 FOR NOTES

**A** DIMENSIONS FOR REFERENCE ONLY  
MANUFACTURER TO VERIFY FOR PROPER FIT

SCALE 1:4

TELEPHONE DEMARCATION PANEL  
DETAILS