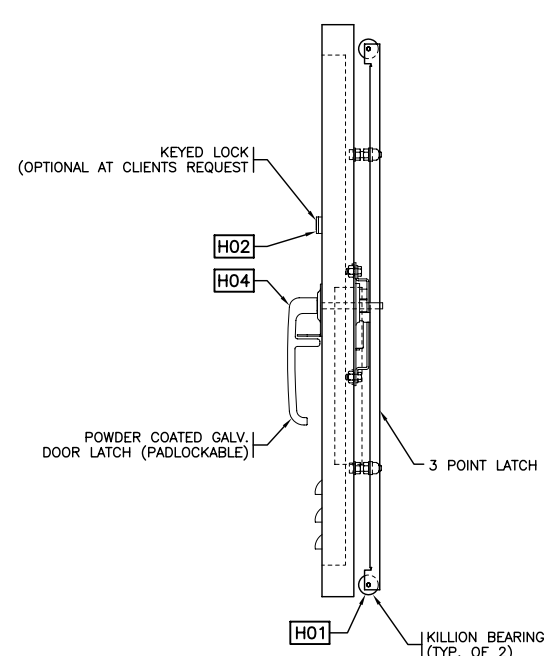
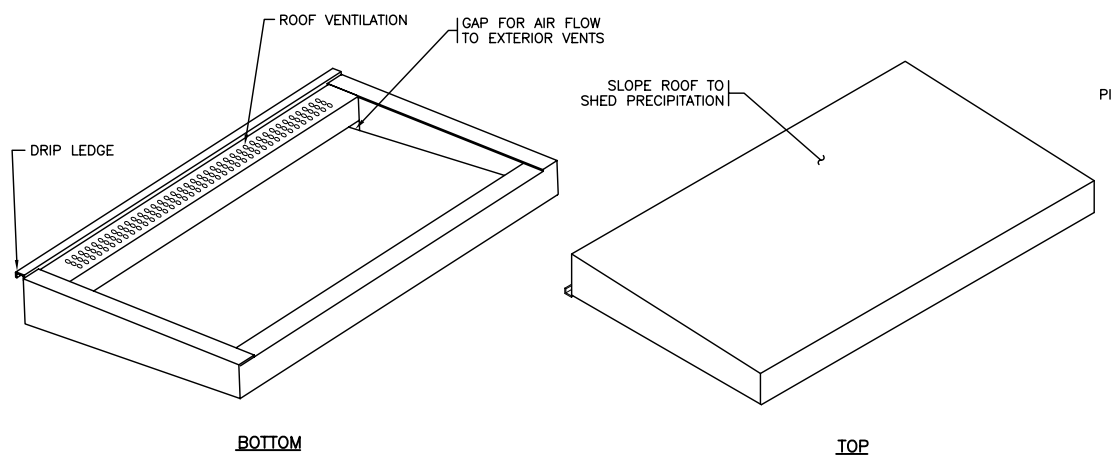


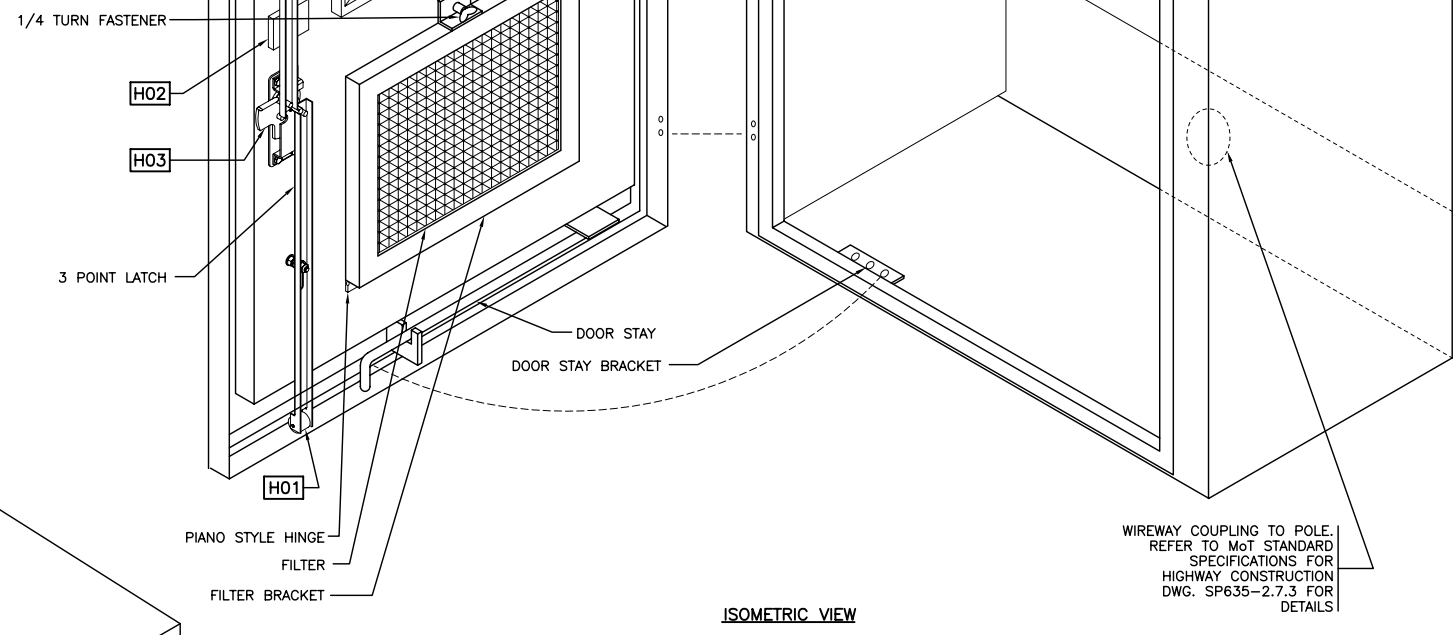
**DETAIL 1 POLE MOUNTED KIOSK**  
N.T.S.



**SECTION A**  
N.T.S.



**DETAIL 2 ROOF ISOMETRIC**  
N.T.S.



**ISOMETRIC VIEW**

HARDWARE LIST				
REFERENCE	QTY	DESCRIPTION	MANUFACTURER	PART NUMBER
H01	8	ROLLER (BALL BEARING)	KILLIAN BEARING	SR290-35N
H02	2	KEYED DOOR LOCK	PELCO	SM - 1026
H03	2	CENTRE LATCH	FAUCHER	700-5463
H04	2	DOOR HANDLE	FAUCHER	671-5051
H05	1	DOOR GASKET (POWDER COATED GALV.)	FAUCHER	670-0834

- GENERAL NOTES:**
- CABINET OUTER SHELL IS WELDED TO ROOF ASSEMBLY, EQUIPMENT MOUNTING PANEL MOUNTS AND BASE PLATES.
  - ADJUST KIOSK SIZE SUIT.

**POLE MOUNTED - ELECTRICAL CABINET**  
**GENERAL ASSEMBLY**

File: P:\ACTIVEPROJECTS\02003\_2003\_MATERIAL STANDARDS WORKS\DRAWINGS\DESIGN DRAWINGS\CHAPTER02\_SERVICE\_KIOSKS\MS4103.DWG Last edited: MAY 25, 03 @ 10:06 a.m. by: rtoyer  
 See P:\Standards\Units and Mounting Standards\Units Mounting Standards\SP635-2.7.3.dwg