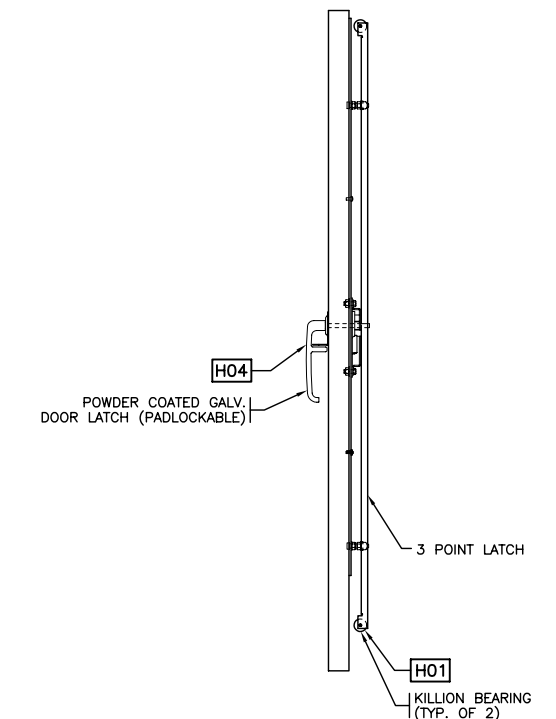
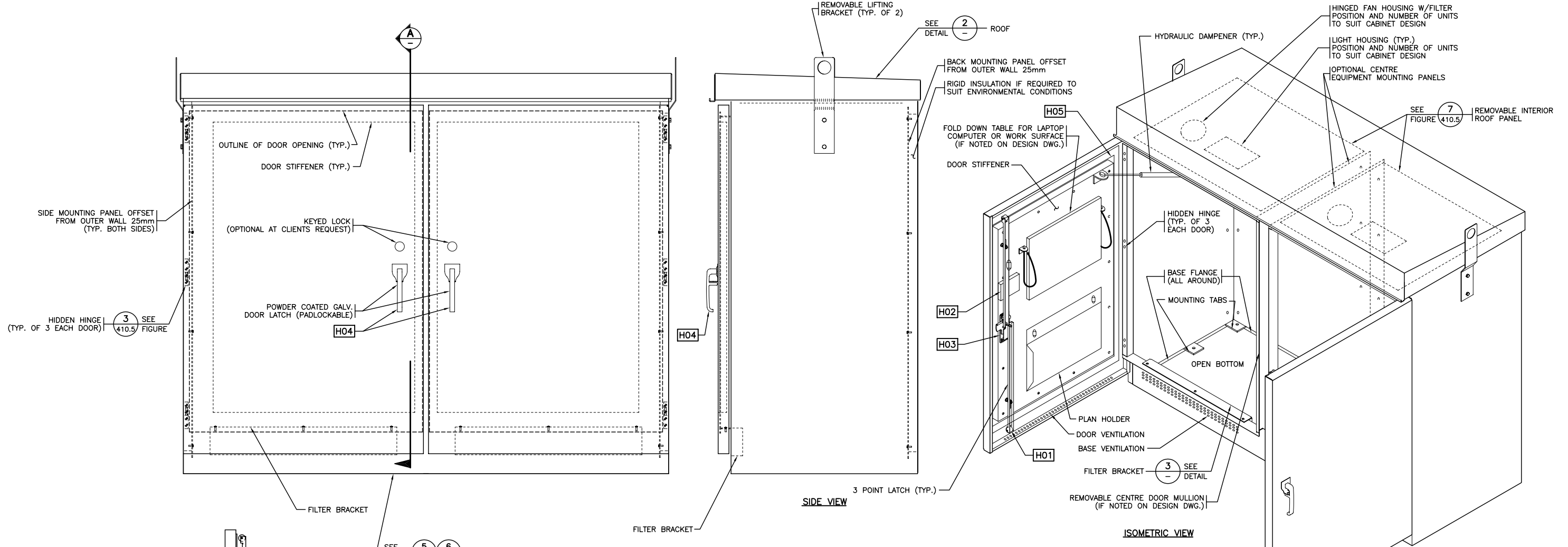
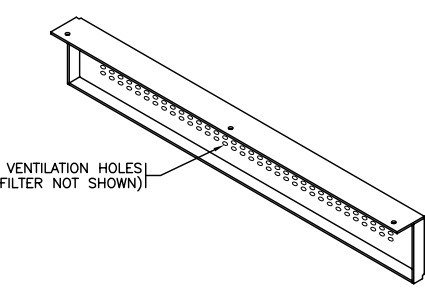
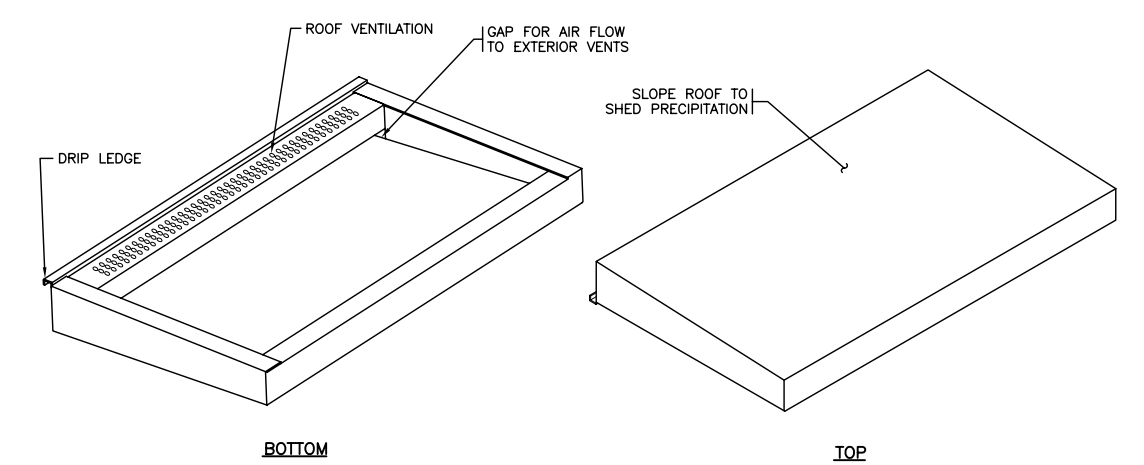


File: P:\ACTIVEREJECTS\03003\_2003 MATERIAL STANDARDS\WORKS\DRAWINGS\DESIGN DRAWINGS\CHAPTER02\_SERVICE\_KIOSKS\MS4101.DWG Last edited: MAY 23, 03 @ 10:05 a.m. by: hghbr



DOOR ONLY  
CABINET NOT SHOWN FOR CLARITY



HARDWARE LIST				
REFERENCE	QTY	DESCRIPTION	MANUFACTURER	PART NUMBER
H01	8	ROLLER (BALL BEARING)	KILLIAN BEARING	SR290-35N
H02	2	KEYED DOOR LOCK	PELCO	SM - 1026
H03	2	CENTRE LATCH	FAUCHER	700-5463
H04	2	DOOR HANDLE	FAUCHER	671-5051
H05	1	DOOR GASKET (POWDER COATED GALV.)	FAUCHER	670-0834

- GENERAL NOTES:**
- CABINET OUTER SHELL IS WELDED TO ROOF ASSEMBLY, EQUIPMENT MOUNTING PANEL MOUNTS AND BASE PLATES.
  - ADJUST CABINET SIZE SUIT.
  - REFER TO MoT STANDARD SPECIFICATION FOR HIGHWAY CONSTRUCTION DRAWINGS FOR TYPICAL POLE MOUNTING DETAILS.

NEW DRAWING

MAY03

DUAL DOOR - ELECTRICAL KIOSK

GENERAL ASSEMBLY