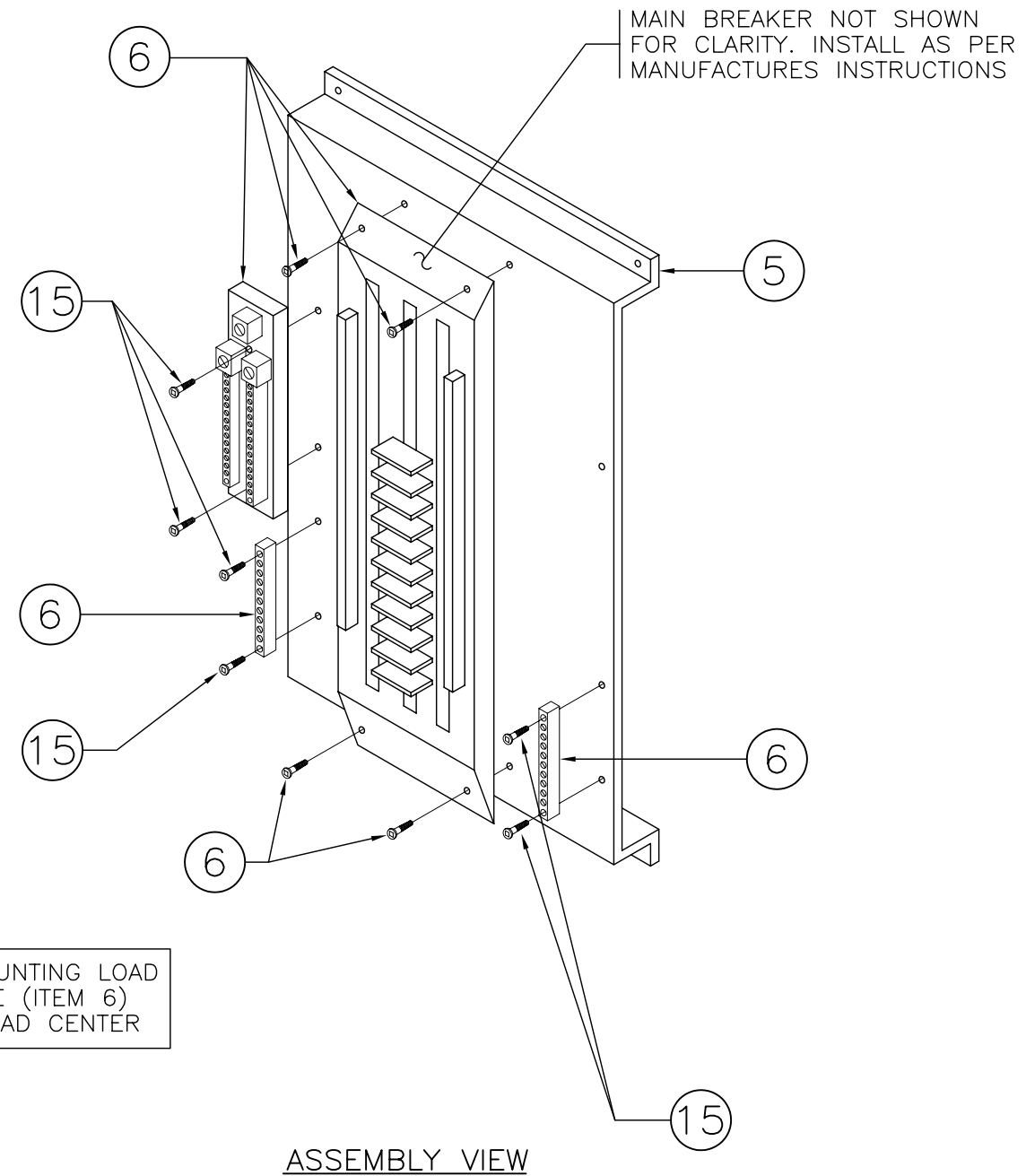


MOUNT BREAKERS AND GROUND BARS TO MOUNTING PANEL



4 SCREWS FOR MOUNTING LOAD CENTER TO PLATE (ITEM 6) SUPPLIED WITH LOAD CENTER

SEE DRAWING MS403.1 FOR NOTES

NOT TO SCALE

100A-120/208V SERVICE/DISTRIBUTION PANEL DETAILS