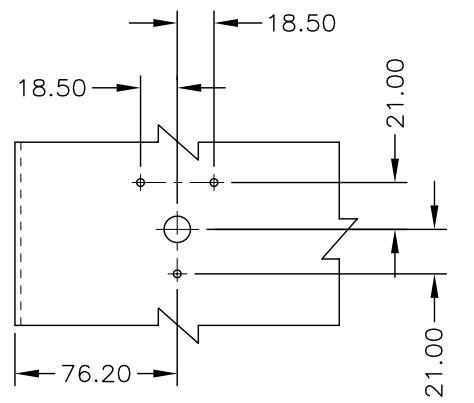


SIDE VIEW

FRONT VIEW

SIDE VIEW



SEE DRAWING MS403.1 FOR NOTES

SCALE 1:7.5



SECTION A-A

ITEM 12  
(ENCLOSURE DOOR)



DIMENSIONS FOR REFERENCE ONLY  
MANUFACTURER TO VERIFY FOR PROPER FIT

100A-120/208V SERVICE/DISTRIBUTION PANEL  
DETAILS