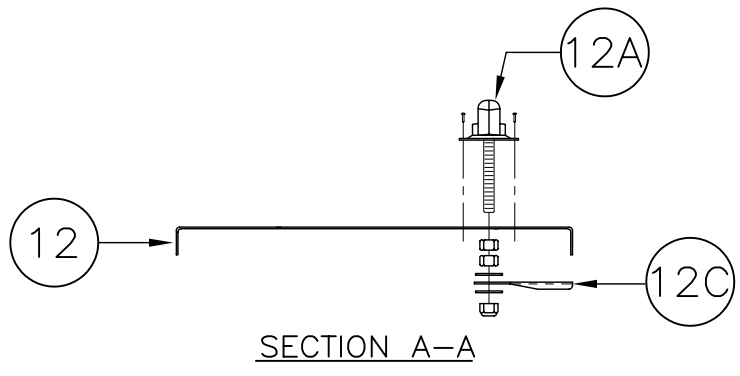
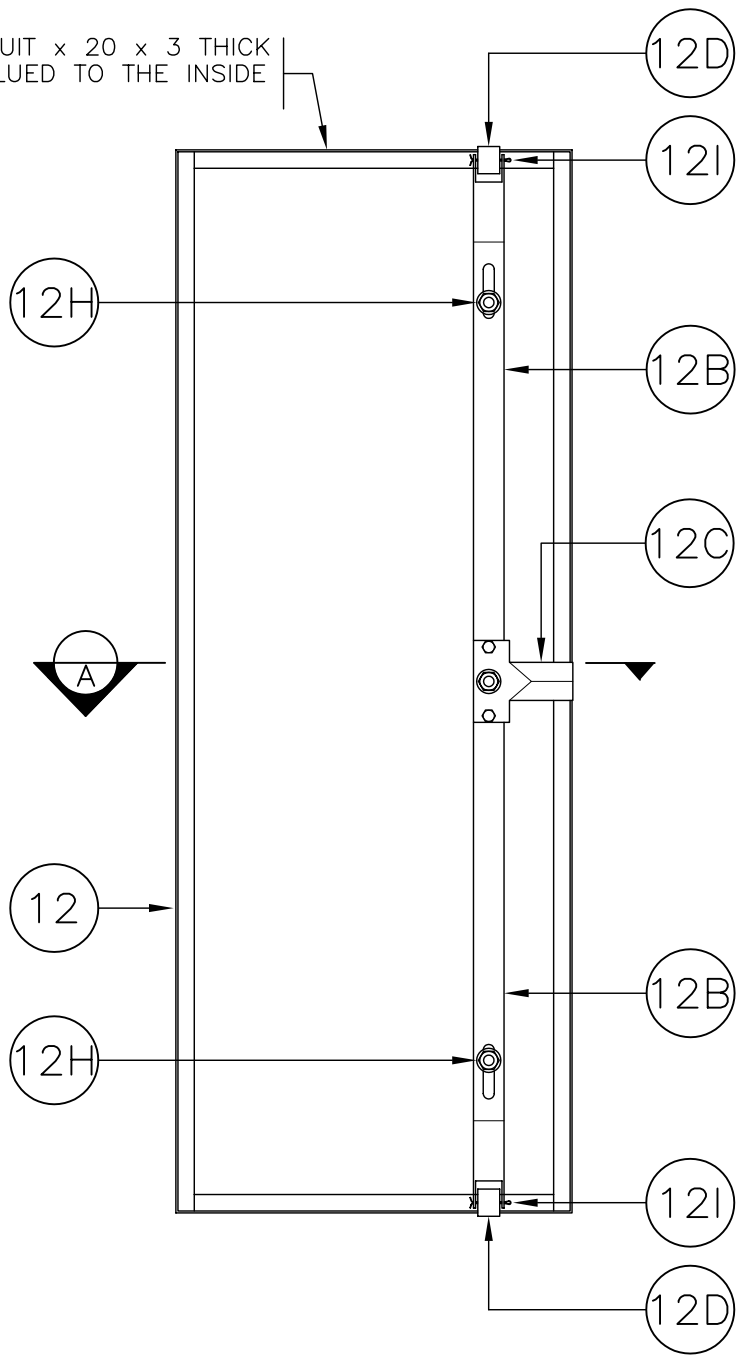


P:\ACTIVEPROJECTS\03003_2003 MATERIAL STANDARDS WORKS\2003_ VOLUME 1_SUBMITTED TO MOT_031219\MATERIAL DRAWINGS\CHAPTER 400 DRAWINGS\MS40323.DWG Last edited: 2004/02/25 @ 09:34 by: cfhatcher



LENGTH TO SUIT x 20 x 3 THICK
NEOPREME GLUED TO THE INSIDE
OF DOOR



ASSEMBLY VIEW
(ENCLOSURE DOOR)

SEE DRAWING MS403.1 FOR NOTES

SCALE 1:7.5

100A-120/208V SERVICE/DISTRIBUTION PANEL
DETAILS

Xref ..\msbase1