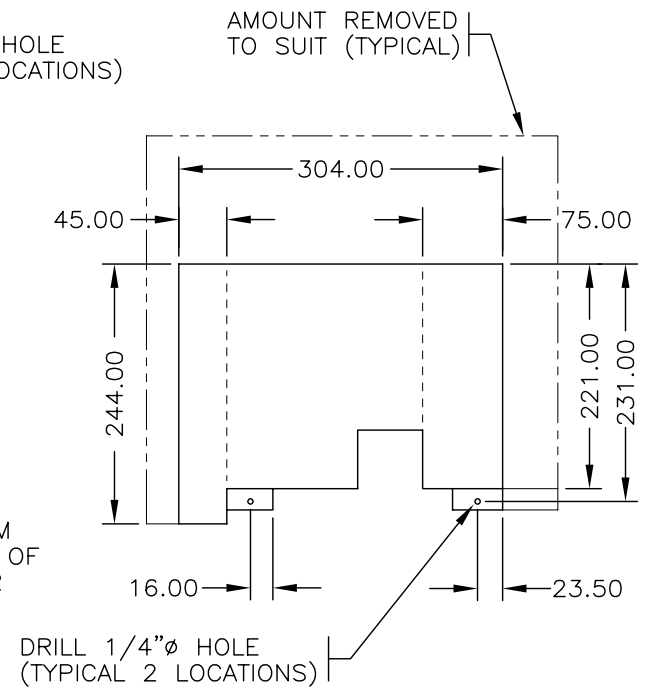
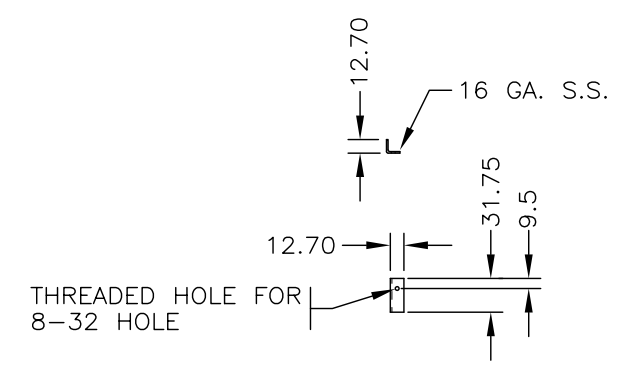


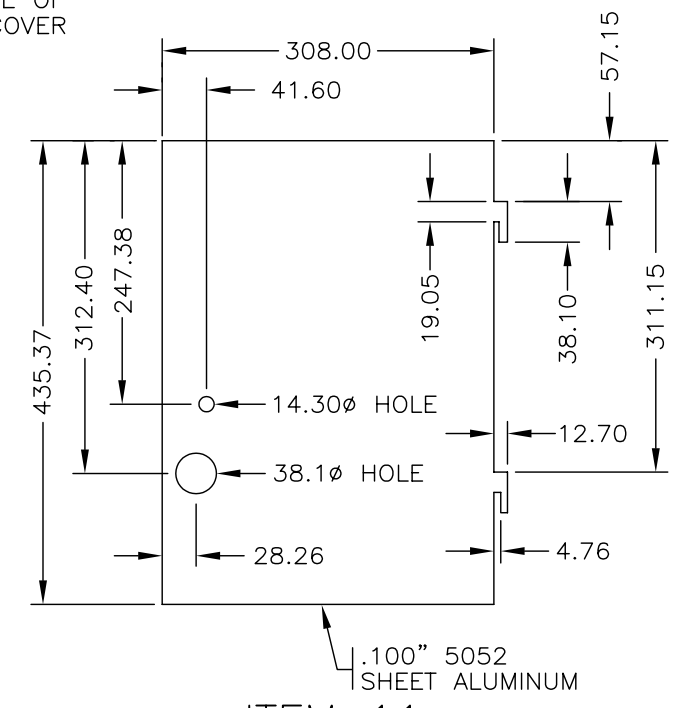
ITEM 9
(PANEL COVER)



ITEM 10
(MAIN BREAKER COVER)



ITEM 11A
(LOWER DOOR HINGE INSERT)



ITEM 11
(LOWER DOOR)

SEE DRAWING MS403.1 FOR NOTES

SCALE 1:7.5

A DIMENSIONS FOR REFERENCE ONLY
MANUFACTURER TO VERIFY FOR PROPER FIT

100A-120/208V SERVICE/DISTRIBUTION PANEL
DETAILS