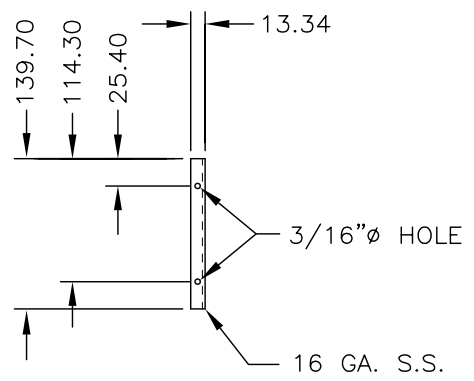
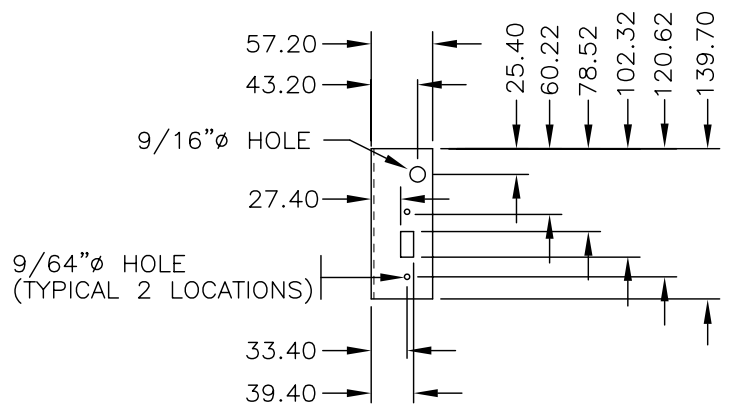


ITEM 7
 (BARRIER)



SIDE VIEW



FRONT VIEW

ITEM 8
 (BYPASS SWITCH MOUNTING PLATE)

SEE DRAWING MS403.1 FOR NOTES

SCALE 1:7.5



DIMENSIONS FOR REFERENCE ONLY
 MANUFACTURER TO VERIFY FOR PROPER FIT

100A-120/208V SERVICE/DISTRIBUTION PANEL
 DETAILS