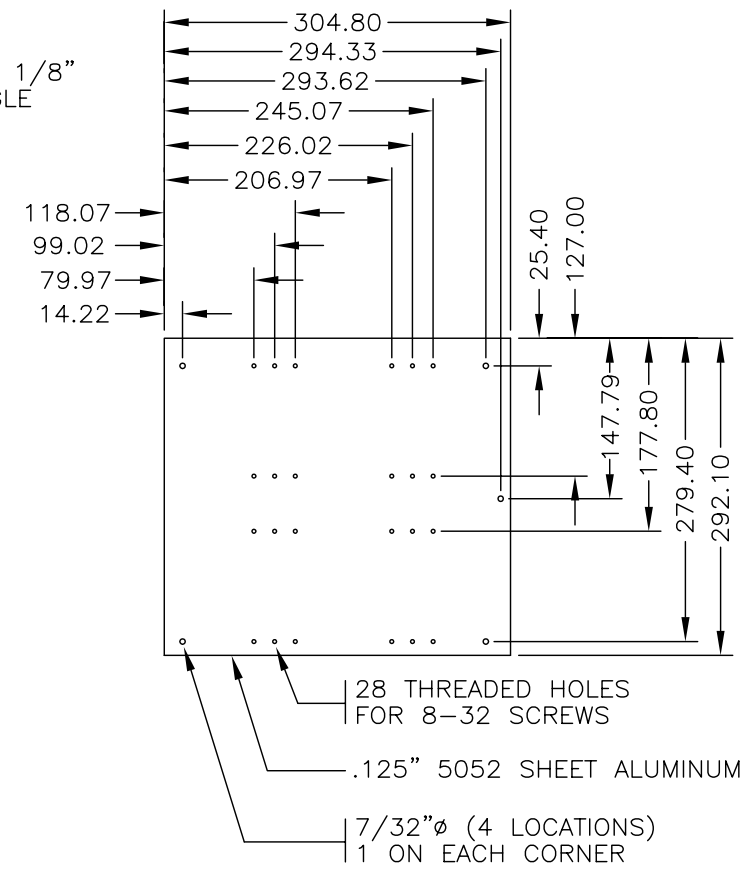
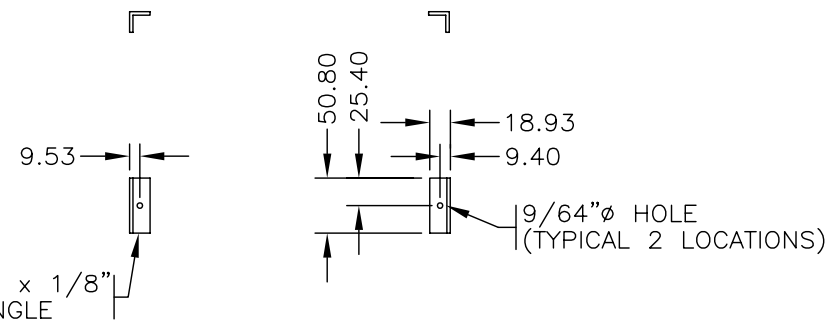


SIDE VIEW FRONT VIEW

ITEM 2
(GROUND RACEWAY)



ITEM 3
(CONTACTOR & FLASHER MOUNTING PLATE)



SIDE VIEW FRONT VIEW

ITEM 4
('L' CLAMP FOR GROUND RACEWAY)

SEE DRAWING MS403.1 FOR NOTES

SCALE 1:7.5



DIMENSIONS FOR REFERENCE ONLY
MANUFACTURER TO VERIFY FOR PROPER FIT

100A-120/208V SERVICE/DISTRIBUTION PANEL
DETAILS