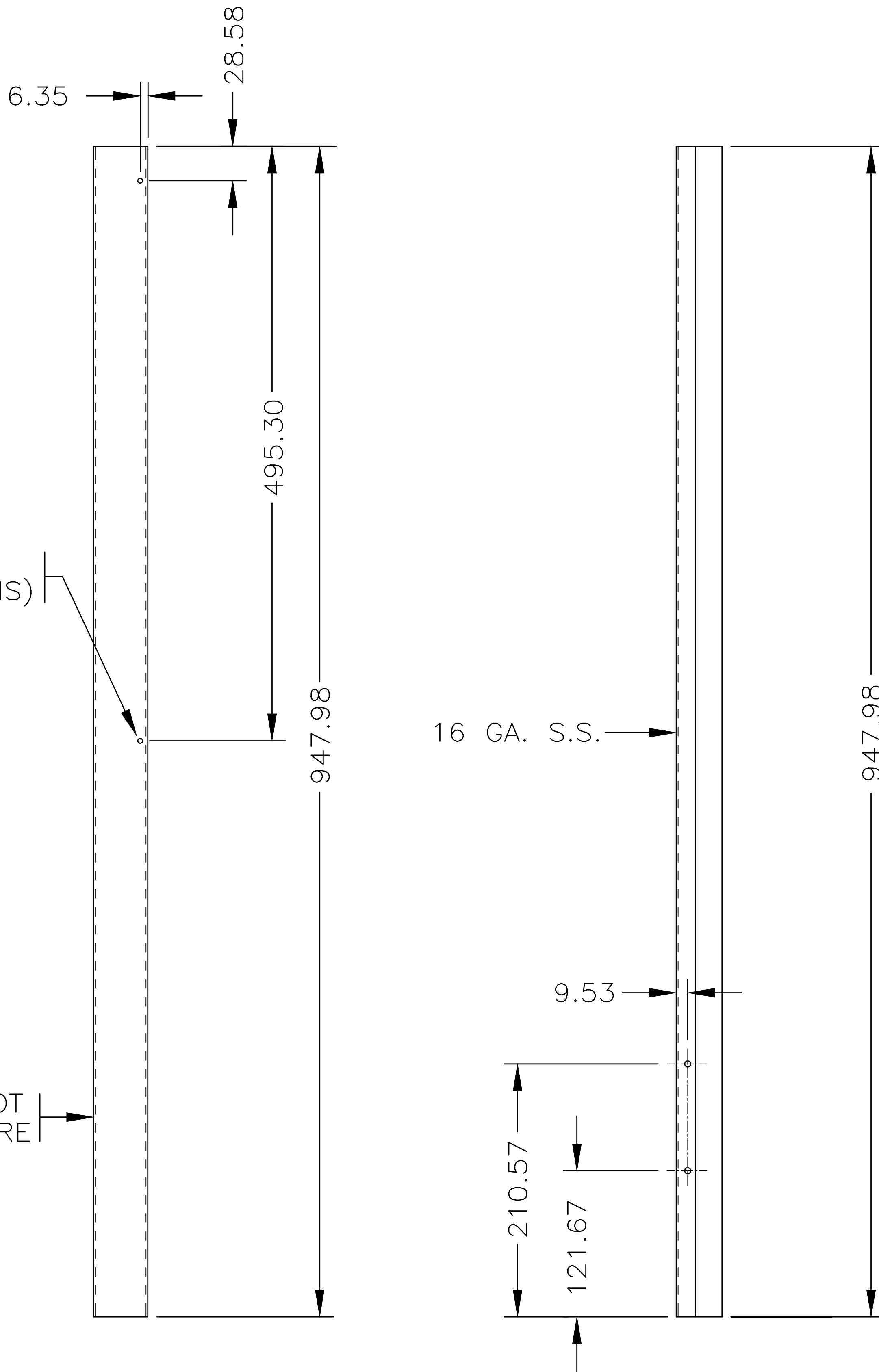


TOP VIEW

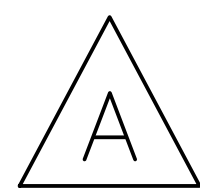


FRONT VIEW

ITEM 1C
(LEFT VERTICAL SUPPORT)

SIDE VIEW

SEE DRAWING MS403.1 FOR NOTES



DIMENSIONS FOR REFERENCE ONLY
MANUFACTURER TO VERIFY FOR PROPER FIT

SCALE 1:7.5

No.	Revision	Date	100A-120/208V SERVICE/DISTRIBUTION PANEL DETAILS		
F				BRITISH COLUMBIA	Ministry of Transportation and Highways
E					
D					
C					
B					
A	NOTE ADDED	OCT03	SPECIFICATION DRAWING No. MS403.16		