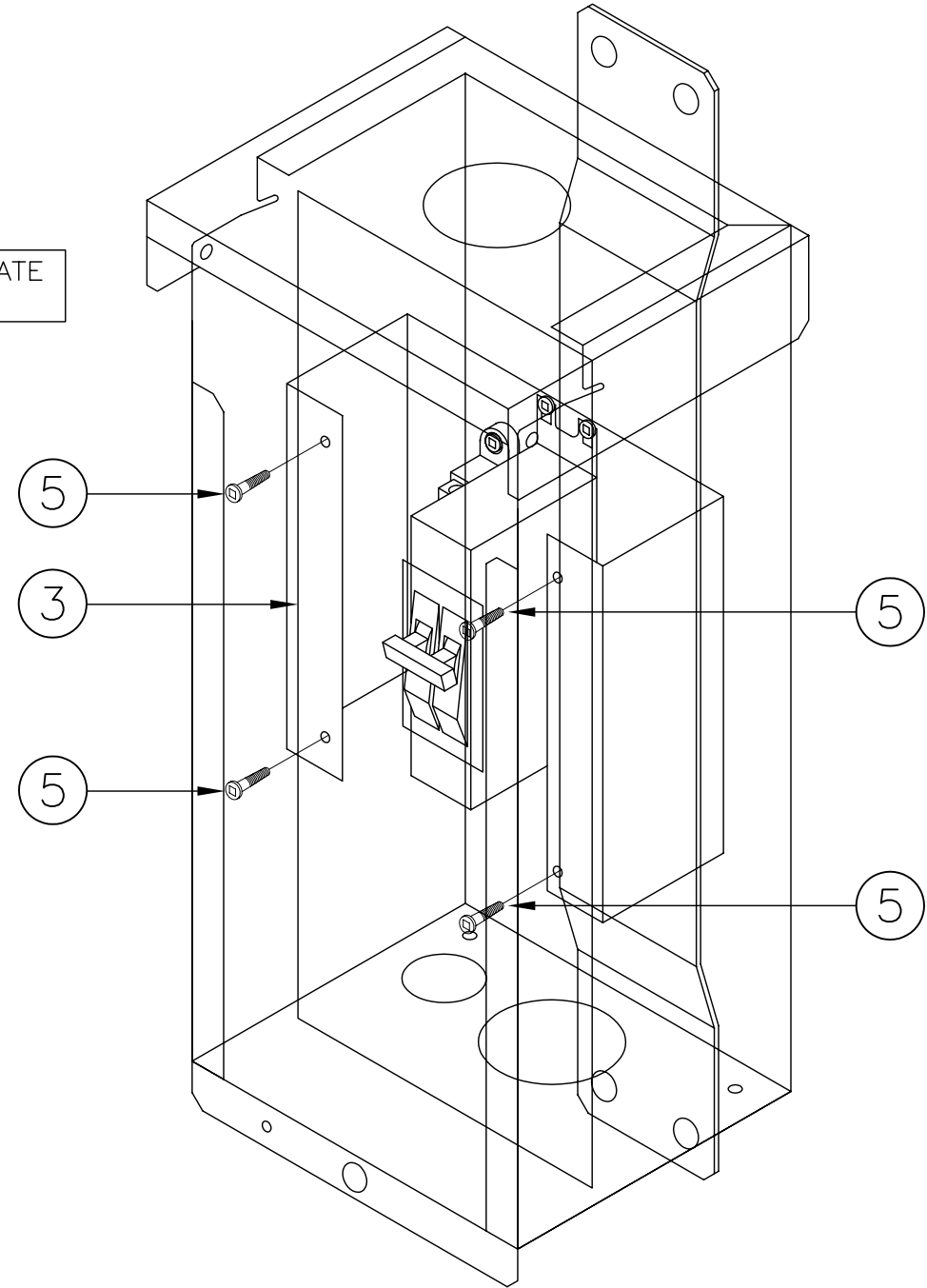


MOUNT COVER PLATE  
ON PANEL



ASSEMBLY VIEW

SEE DRAWING MS402.1 FOR NOTES

NOT TO SCALE

100A-120/240V SERVICE DISCONNECT PANEL  
DETAILS