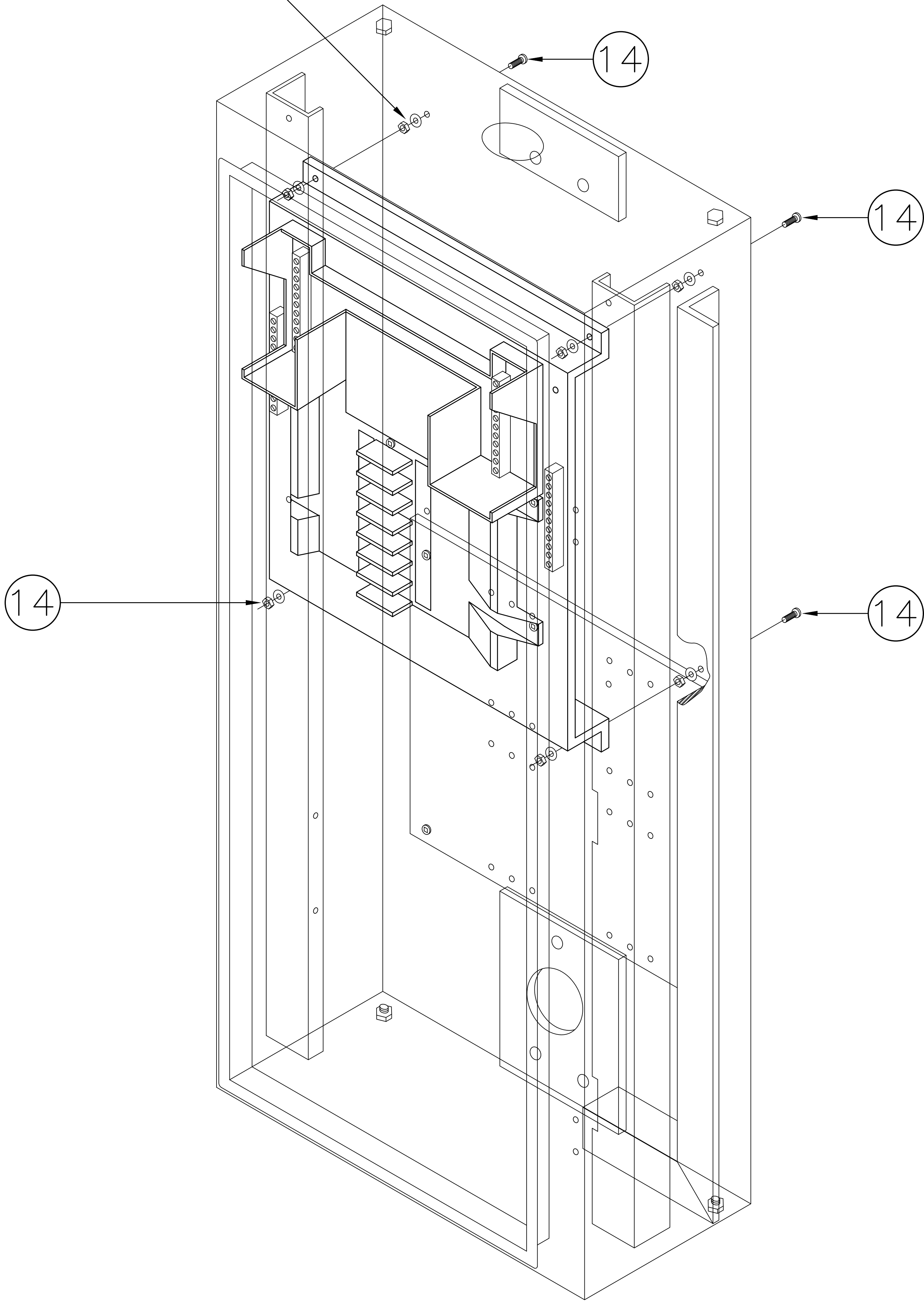


NUT AND STAR WASHER  
 BETWEEN PANEL ENCLOSURE  
 AND LOAD CENTER  
 (TYPICAL 4 LOCATIONS)



ASSEMBLY VIEW

SEE DRAWING MS401.1 FOR NOTES

NOT TO SCALE

No.	Revision	Date	100A-120/240V SERVICE/DISTRIBUTION PANEL DETAILS	
F				<b>BRITISH COLUMBIA</b>
E				
D				
C				
B				
A				
			<b>Ministry of Transportation and Highways</b>	SPECIFICATION DRAWING No. MS401.9