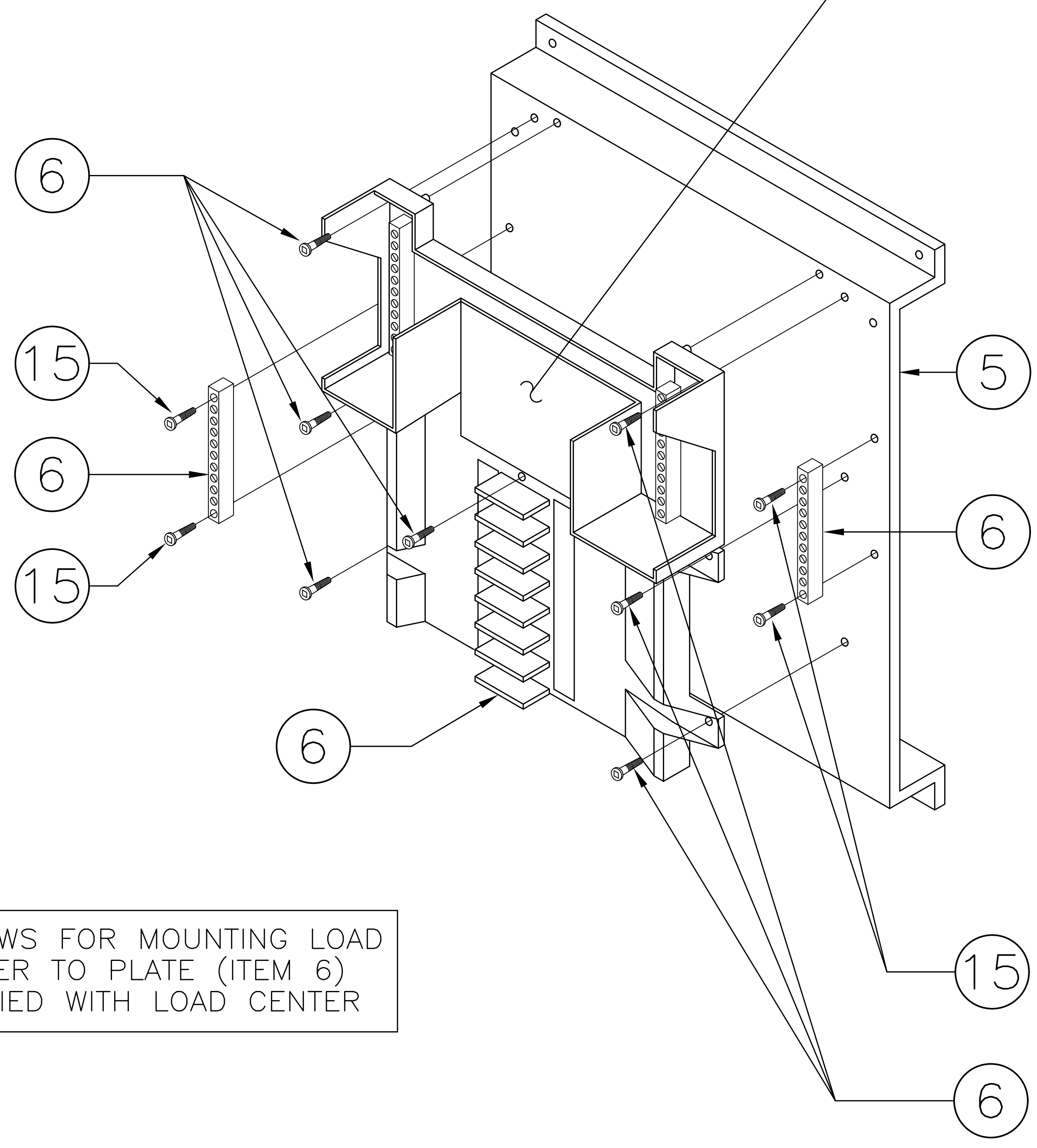


MOUNT BREAKERS AND GROUND BARS TO MOUNTING PANEL

MAIN BREAKER NOT SHOWN FOR CLARITY. INSTALL AS PER MANUFACTURES INSTRUCTIONS



8 SCREWS FOR MOUNTING LOAD CENTER TO PLATE (ITEM 6) SUPPLIED WITH LOAD CENTER

ASSEMBLY VIEW

SEE DRAWING MS401.1 FOR NOTES

NOT TO SCALE

No.	Revision	Date	100A-120/240V SERVICE/DISTRIBUTION PANEL DETAILS	
F				<b>BRITISH COLUMBIA</b> Ministry of Transportation and Highways
E				
D				
C				
B				
A			SPECIFICATION DRAWING No. MS401.8	