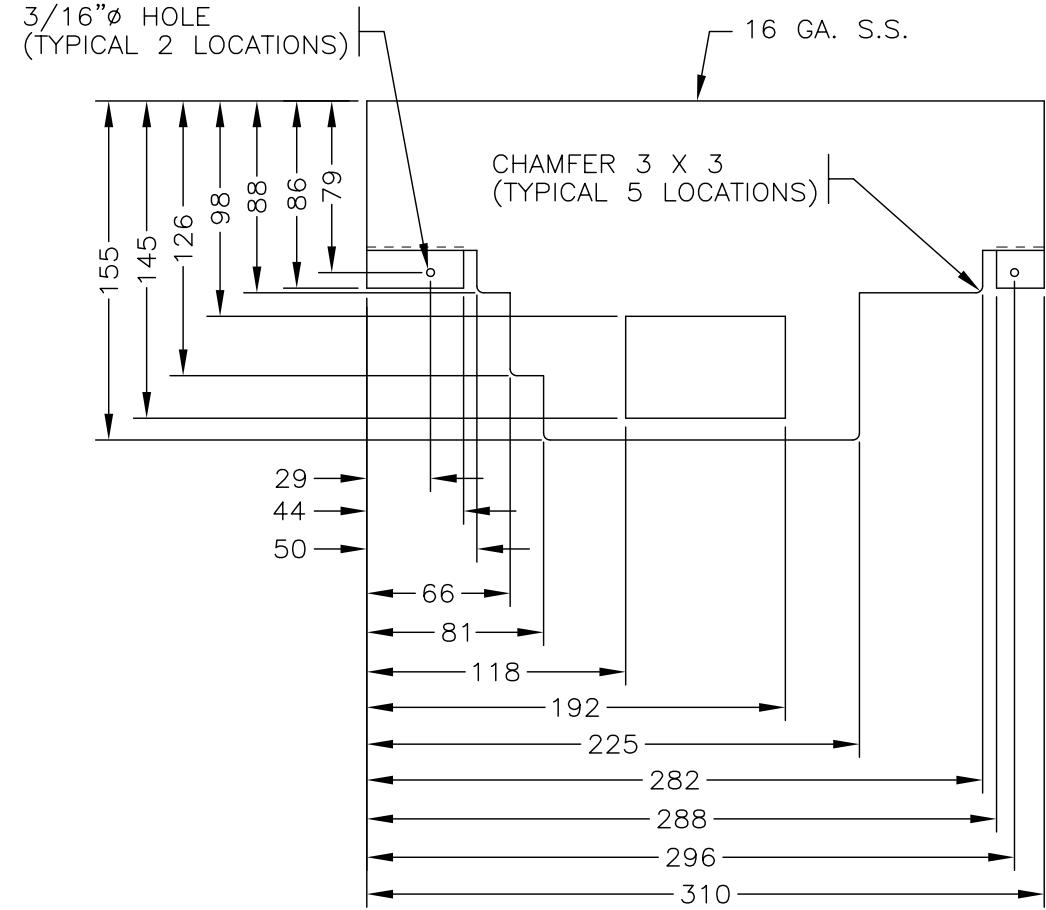
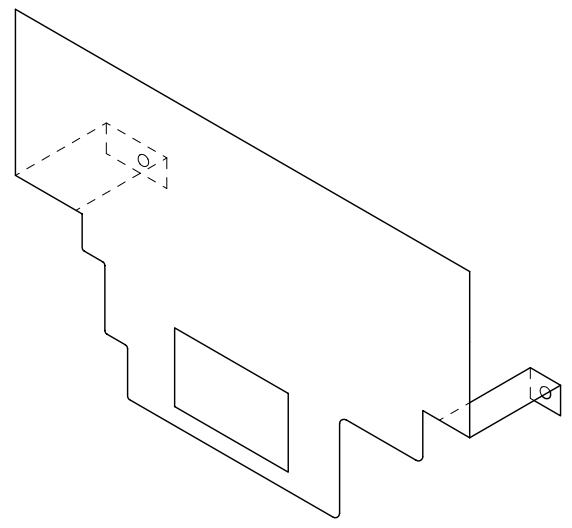


SIDE VIEW



FRONT VIEW



ISOMETRIC VIEW

ITEM 1K
(MAIN BREAKER BARRIER)

SEE DRAWING MS400.1 FOR NOTES

SCALE 1:4



DIMENSIONS FOR REFERENCE ONLY
MANUFACTURER TO VERIFY FOR PROPER FIT

30A-120/240V SERVICE PANEL
DETAILS