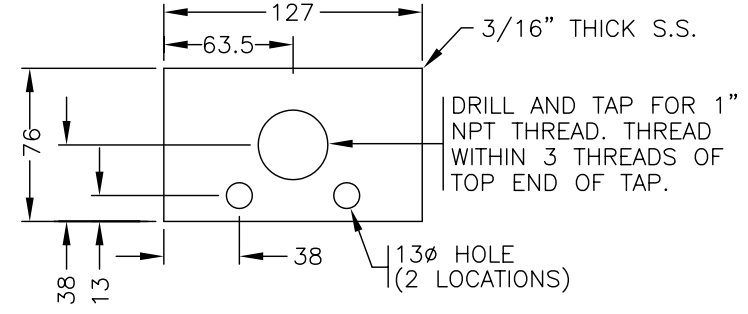
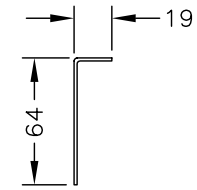


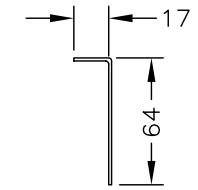
ITEM 1C
(SMALL REINFORCING PLATE)



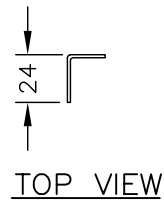
ITEM 1D
(LARGE REINFORCING PLATE)



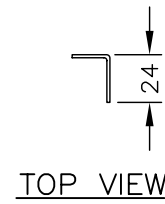
TOP VIEW



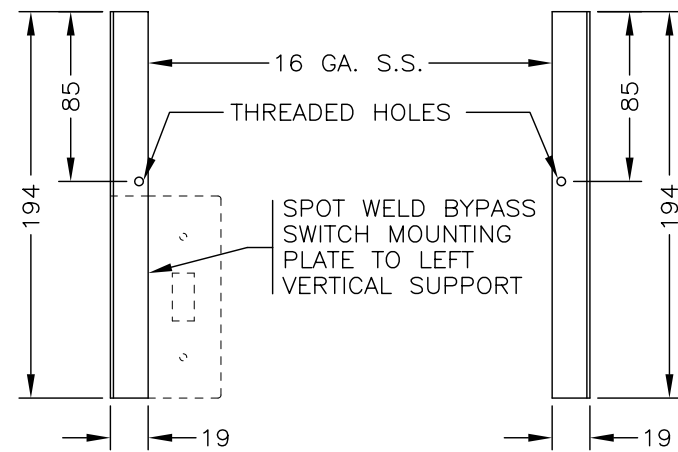
TOP VIEW



TOP VIEW



TOP VIEW

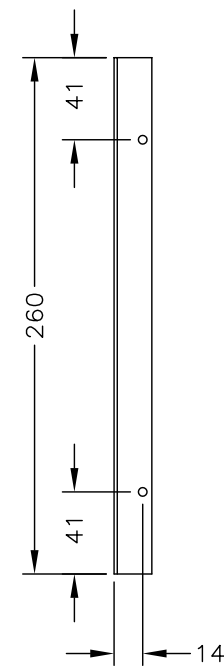


FRONT VIEW

ITEM 1E
(LEFT LOWER
VERTICAL SUPPORT)

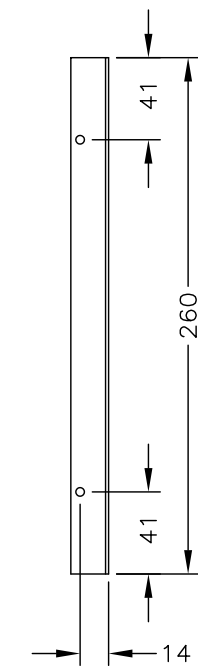
FRONT VIEW

ITEM 1F
(RIGHT LOWER
VERTICAL SUPPORT)



FRONT VIEW

ITEM 1G
(LEFT UPPER
VERTICAL SUPPORT)



FRONT VIEW

ITEM 1H
(RIGHT UPPER
VERTICAL SUPPORT)

SEE DRAWING MS400.1 FOR NOTES

SCALE 1:4



DIMENSIONS FOR REFERENCE ONLY
MANUFACTURER TO VERIFY FOR PROPER FIT

30A-120/240V SERVICE PANEL
DETAILS