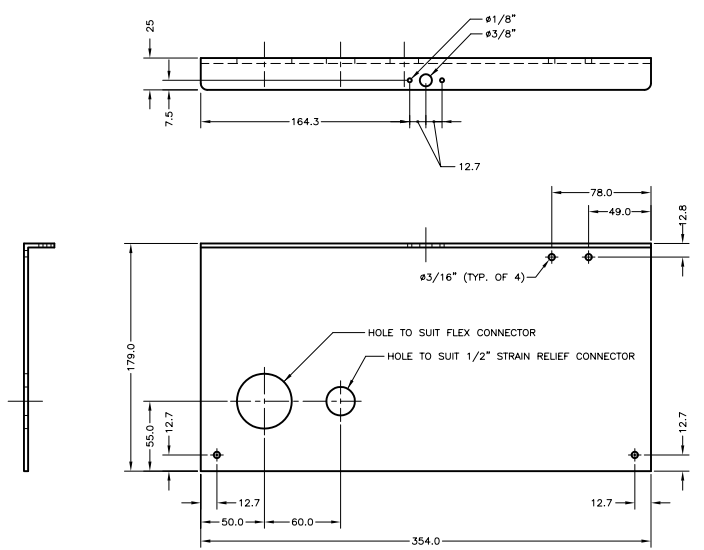


BOTTOM VIEW

DETAIL A
 MATERIAL: 1/8" ALUMINIUM
 SCALE 1:5



BOTTOM VIEW

DETAIL B
 MATERIAL: 1/8" ALUMINIUM
 SCALE 1:5

HIGHMAST DISTRIBUTION PANEL
 DETAILS

Xref ..\MSBASE1

GENERAL REVISIONS NOV97
 FASTENER LIP LENGTHENED MAR97
 STRAIN RELIEF HOLE REMOVED NOV96

MS373.7