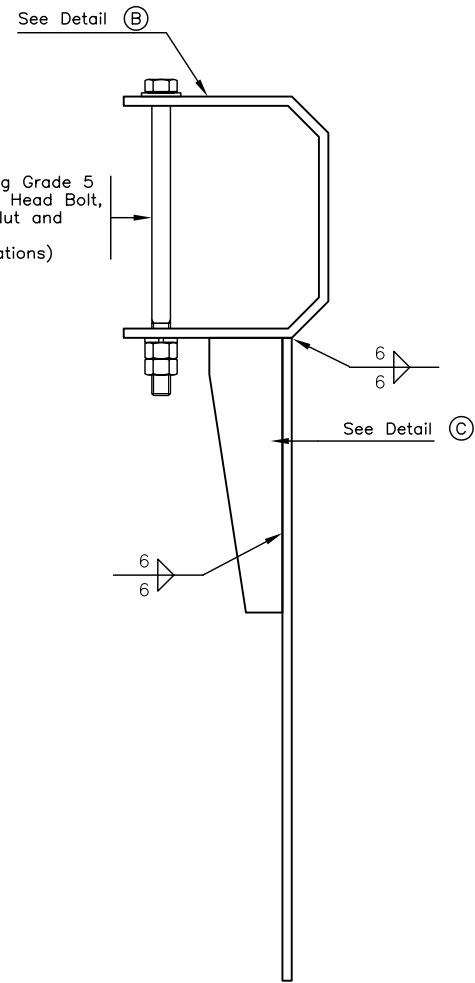


Notes:

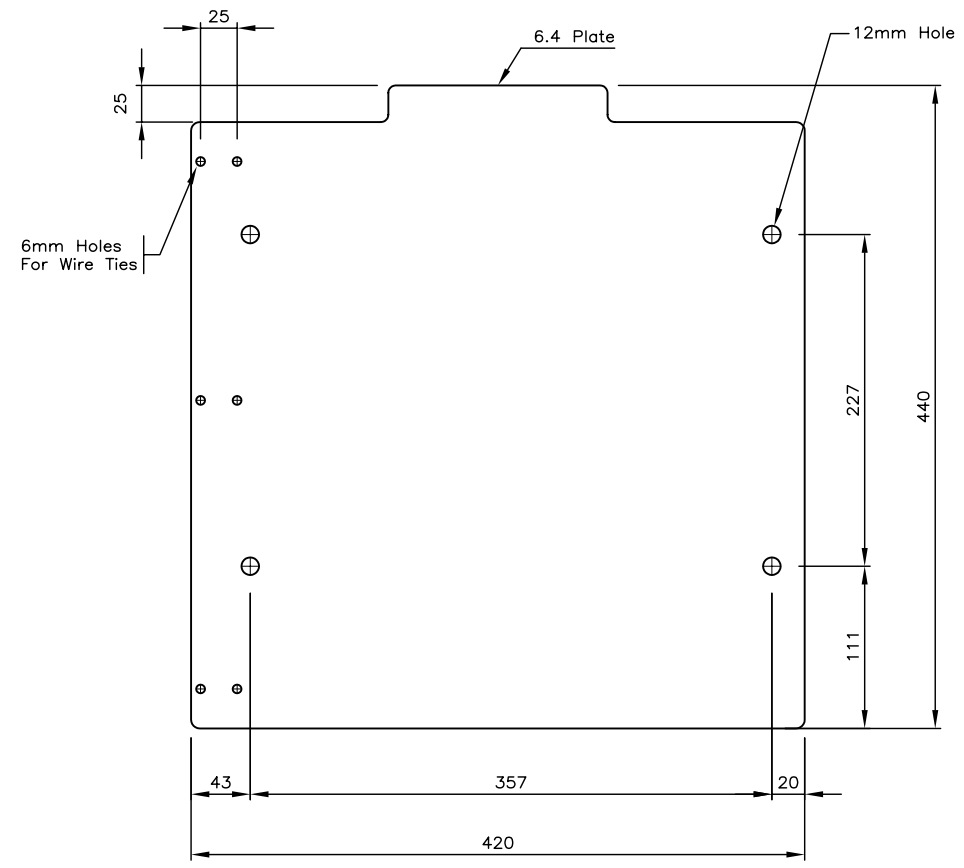
- 1) Refer to Ministry Material Standard Chapter MS309 For Ring Specifications.
- 2) Tenons, Rings And Brackets Shall Be Galvanized.
- 3) All Dimensions Are In Millimetres Unless Otherwise Noted.

DETAIL C

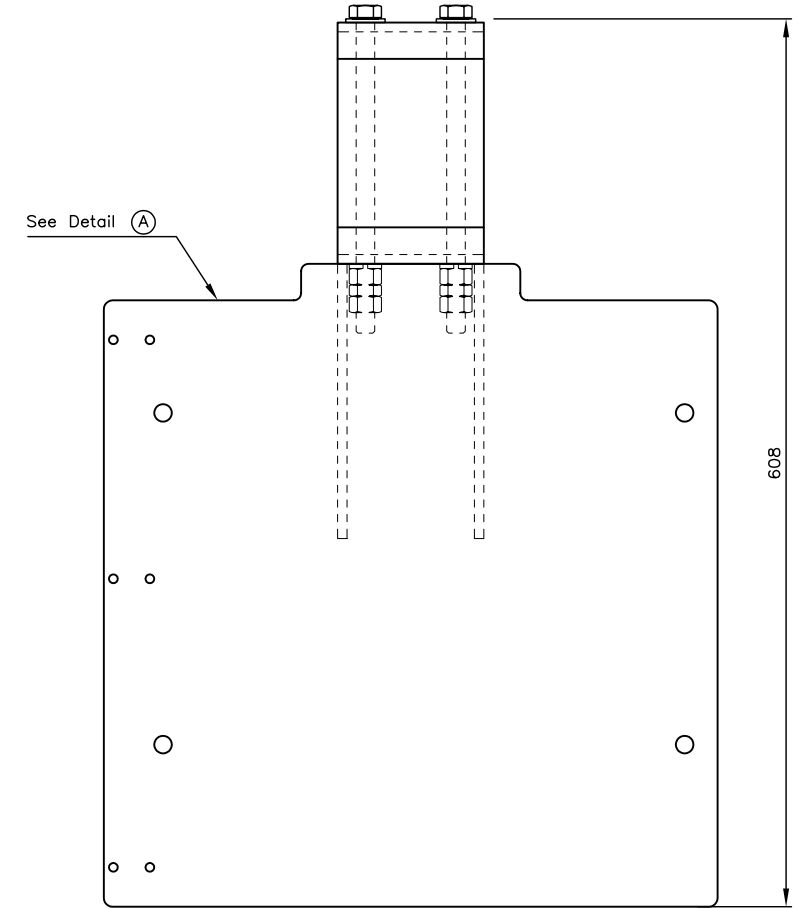


1/2" x 8" Long Grade 5 Galvanized Hex Head Bolt, 2 Nuts, Jam Nut and 2 Flat Washers (Typical 2 Locations)

DETAIL B



DETAIL A



SIDE VIEW

JUNCTION BOX MOUNTING BRACKET


NOT TO SCALE

No.	Description	Date
J		
I		
H		
G		
F		
E		
D		
C		
B		
A		

REVISION

HIGHMAST LUMINAIRE JUNCTION BOX MOUNTING BRACKET

DETAILS



BRITISH COLUMBIA Ministry of Transportation and Highways

Drawing No. **MS371.7**