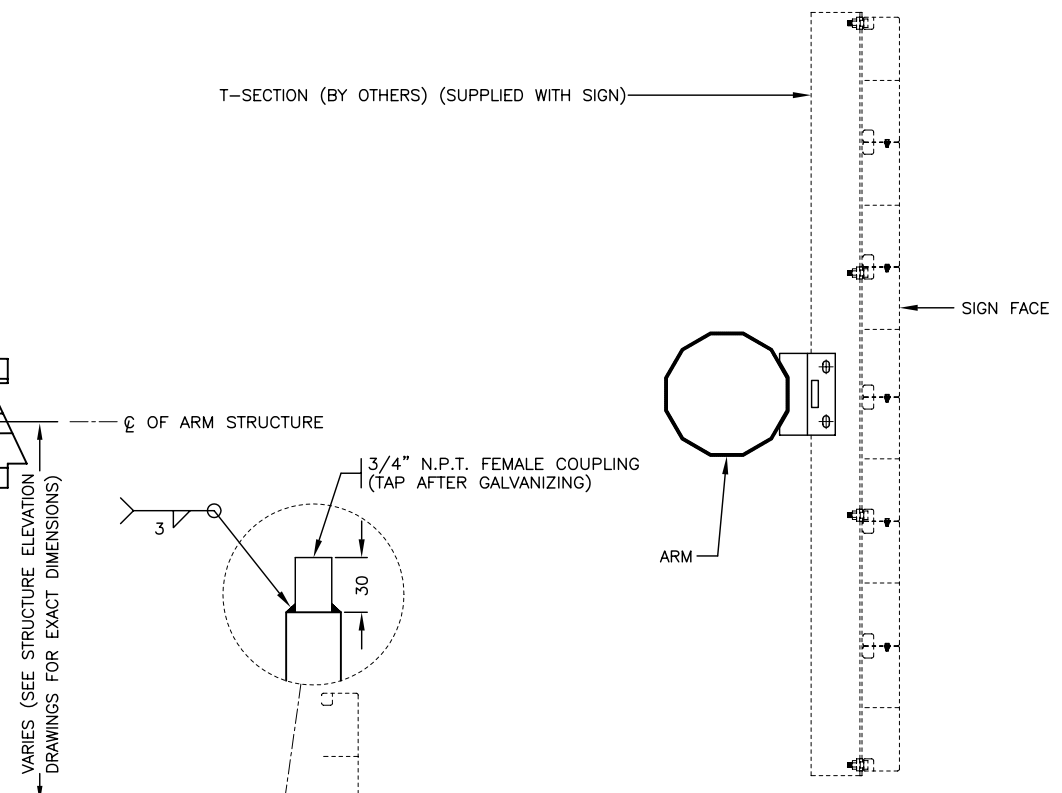
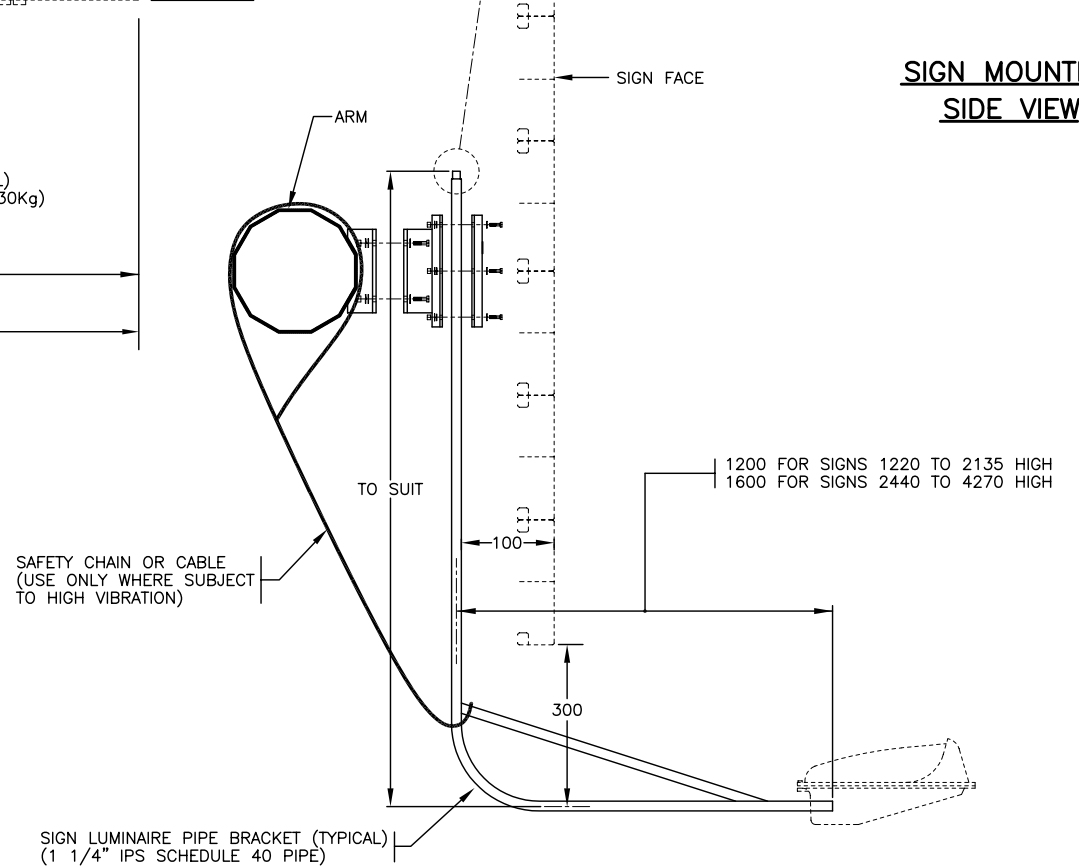


**SIGN AND SIGN LUMINAIRE MOUNTING DETAILS – FRONT VIEW**



**SIGN MOUNTING SIDE VIEW**



**SIGN LUMINAIRE MOUNTING SIDE VIEW**

- NOTES**
1. SEE MATERIAL STANDARD SPECIFICATIONS CHAPTER 306 – CANTILEVER AND SIGN BRIDGE STRUCTURES FOR ADDITIONAL INFORMATION.
  2. ALL DIMENSIONS ARE IN MILLIMETRES UNLESS OTHERWISE NOTED.
  3. SPACING AS NOTED ON STRUCTURE ELEVATION DRAWINGS.

NOT TO SCALE

No.	Description	Date
J		
I		
H		
G		
F		
E		
D		
C		
B		
A		
REVISION		

**GENERIC EXTRUDED ALUMINUM SIGN MOUNTING FOR MONOTUBE STRUCTURES**

**SIGN AND SIGN LUMINAIRE MOUNTING DETAILS**



**BRITISH COLUMBIA**

Ministry of Transportation and Highways

Drawing No. **MS351.2**