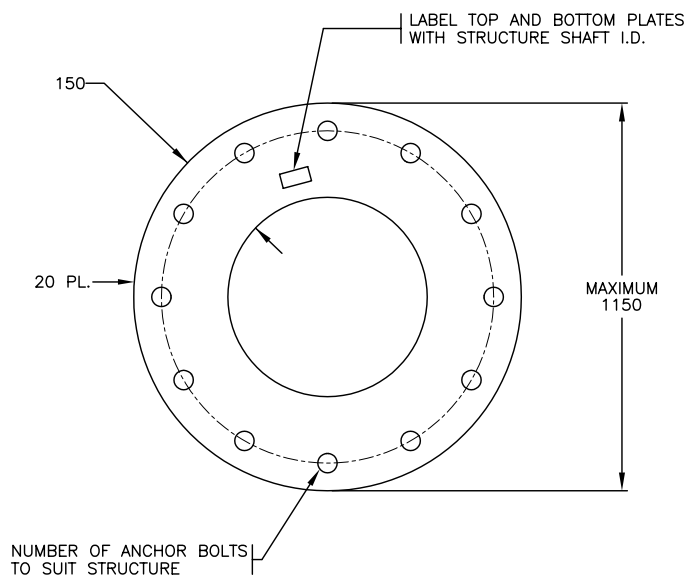
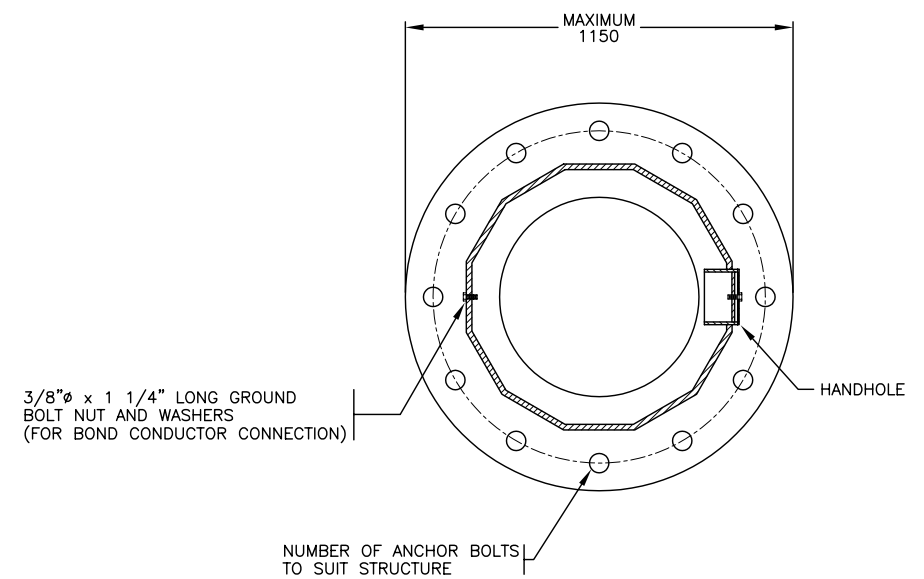


ANCHOR BOLT CAGE DETAIL



ANCHOR BOLT CAGE TOP AND BOTTOM PLATE



BASE PLATE

NOTES

1. SEE MATERIAL STANDARD SPECIFICATIONS CHAPTER 306 - CANTILEVER, SIGN BRIDGE STRUCTURES FOR ADDITIONAL INFORMATION.
2. ALL DIMENSIONS ARE IN MILLIMETRES UNLESS OTHERWISE NOTED.
3. ANCHOR BOLT CAGE SHALL BE SUPPLIED UNASSEMBLED.

NOT TO SCALE

No.	Description	Date
J		
I		
H		
G		
F		
E		
D		
C		
B		
A		
REVISION		

GENERIC CANTILEVER AND SIGN BRIDGE STRUCTURES

BASE PLATE AND ANCHOR BOLT CAGE DETAILS



Ministry of Transportation and Highways

Drawing No. MS350.5