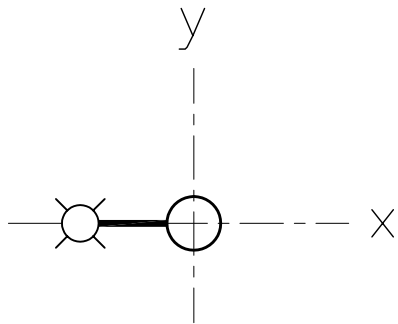


POLE BASE PLATE



CANTILEVER

BASE REACTION FORCES

F_x SHEAR = 1 kN
 F_y SHEAR = 6 kN
 F_z AXIAL = 3 kN

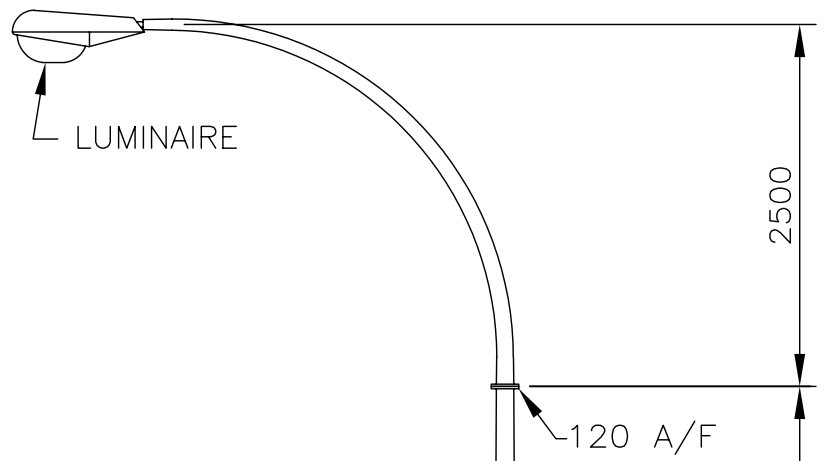
M_x OVERTURNING = 41 kN.m
 M_y OVERTURNING = 9 kN.m
 M_z TORSION = 2 kN.m

PARTS LIST

PART	MINISTRY STOCK NUMBER	MASS (kg)
TYPE 2 SHAFT - 11m	SN1825	252
TYPE 2A LUMINAIRE ARM	SN1832	35
LUMINAIRE	N/A	18

NOTES

1. ALL DIMENSIONS ARE IN MILLIMETRES UNLESS OTHERWISE NOTED.



TYPE 2 SHAFT

11000

POLE BASE PLATE
 BREAKAWAY BASE
 (SEE SPECIFICATION FOR DESIGN CRITERIA)

TYPE E2 CONC. BASE. SEE MOTH STANDARD SPEC. DWG. SP635-1.1.7 FOR DETAILS

50

1800

ELEVATION

SCALE 1:75

No.	Revision	Date
F		
E		
D		
C		
B		
A		

BREAKAWAY BASE FOR
 13.5 m LUMINAIRE POLE



BRITISH COLUMBIA

Ministry of
 Transportation
 and Highways

SPECIFICATION
 DRAWING No.
 MS341.3