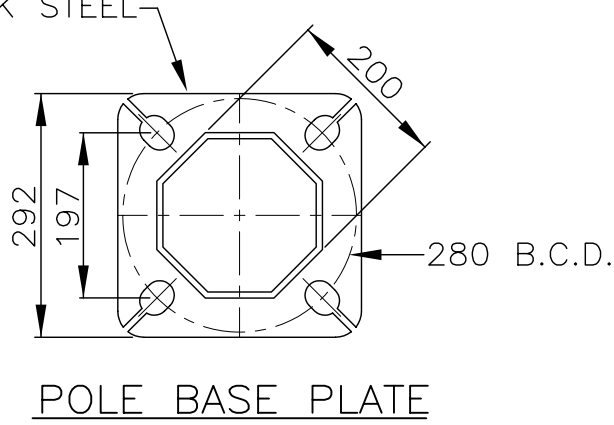
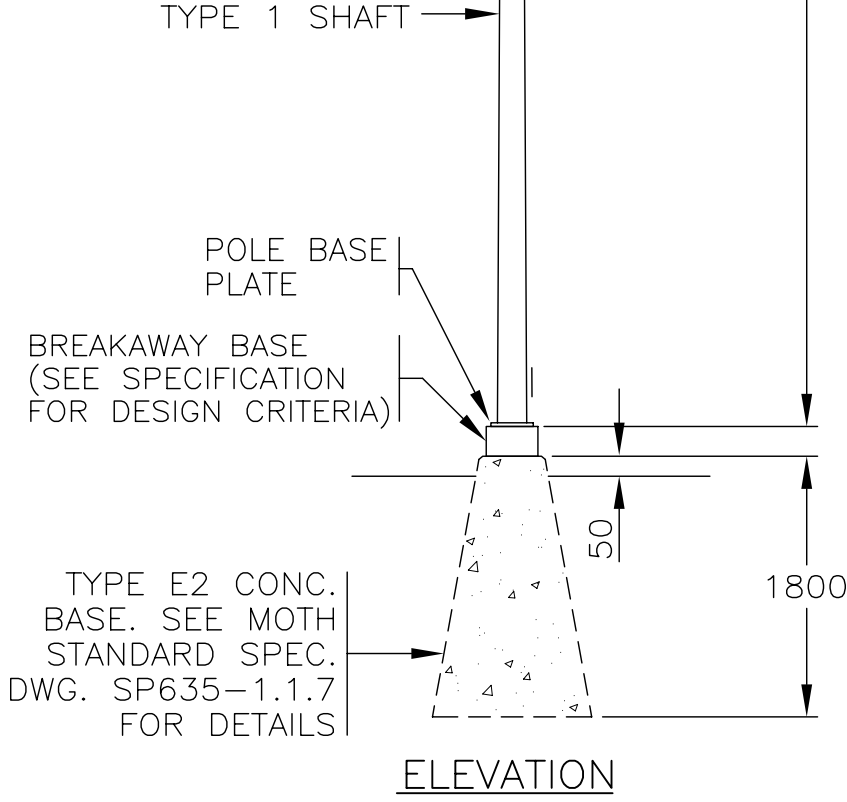


**BASE REACTION FORCES**

$F_x$ SHEAR	=	2 kN
$F_y$ SHEAR	=	7 kN
$F_z$ AXIAL	=	4 kN
$M_x$ OVERTURNING	=	44 kN.m
$M_y$ OVERTURNING	=	16 kN.m
$M_z$ TORSION	=	15 kN.m

**PARTS LIST**

PART	MINISTRY STOCK NUMBER	MASS (kg)
TYPE 1 SHAFT - 6.5m	SN1821	195
1.2m LONG TYPE L SIGN ARM	SN2095	24
TYPE 2A LUMINAIRE ARM	SN1832	35
LUMINAIRE	N/A	18



**NOTES**  
 1. ALL DIMENSIONS ARE IN MILLIMETRES UNLESS OTHERWISE NOTED.

SCALE 1:75

No.	Revision	Date
F		
E		
D		
C		
B		
A		

**BREAKAWAY BASE FOR TYPE 1 SHAFT (SIGN POLE)**



**BRITISH COLUMBIA**

**Ministry of Transportation and Highways**

SPECIFICATION DRAWING No. MS341.2