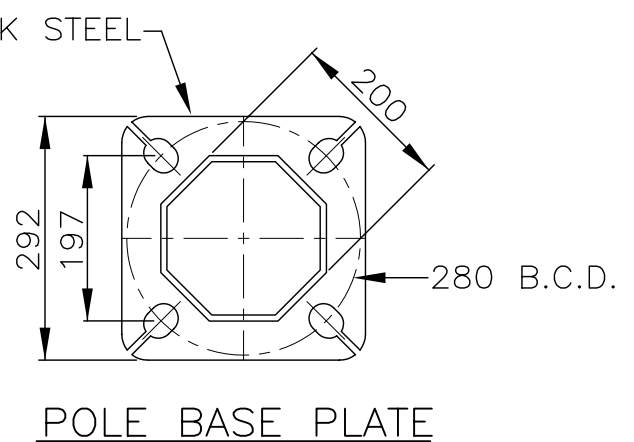
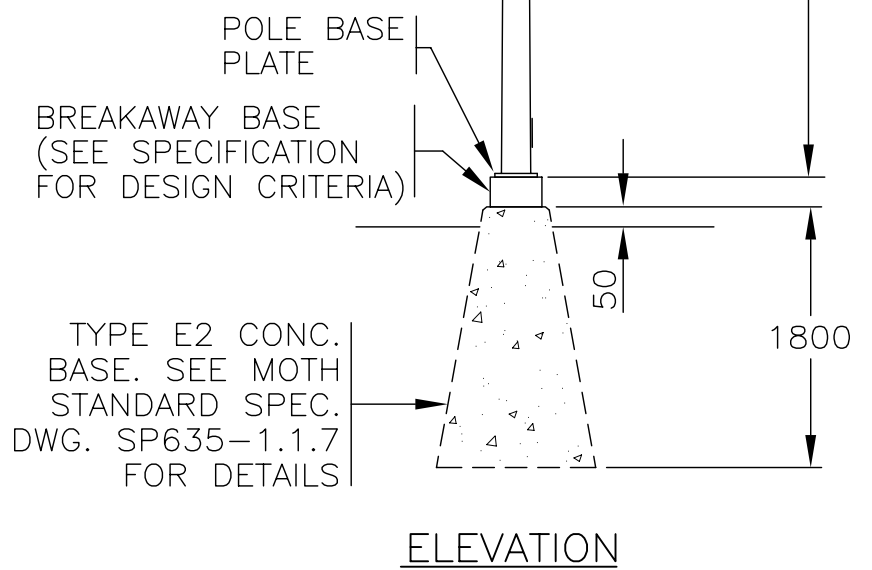


BASE REACTION FORCES	
F_x SHEAR	= 2 kN
F_y SHEAR	= 7 kN
F_z AXIAL	= 4 kN
M_x OVERTURNING	= 41 kN.m
M_y OVERTURNING	= 14 kN.m
M_z TORSION	= 15 kN.m

PARTS LIST		
PART	MINISTRY STOCK NUMBER	MASS (kg)
TYPE 3 SHAFT	SN1826	186
1.2m LONG TYPE L SIGN ARM	SN2095	24



NOTES

1. ALL DIMENSIONS ARE IN MILLIMETRES UNLESS OTHERWISE NOTED.

SCALE 1:75

No.	Revision	Date
F		
E		
D		
C		
B		
A		

BREAKAWAY BASE FOR TYPE 3 SHAFT (SIGN POLE)



BRITISH COLUMBIA

Ministry of Transportation and Highways

SPECIFICATION DRAWING No. MS341.1