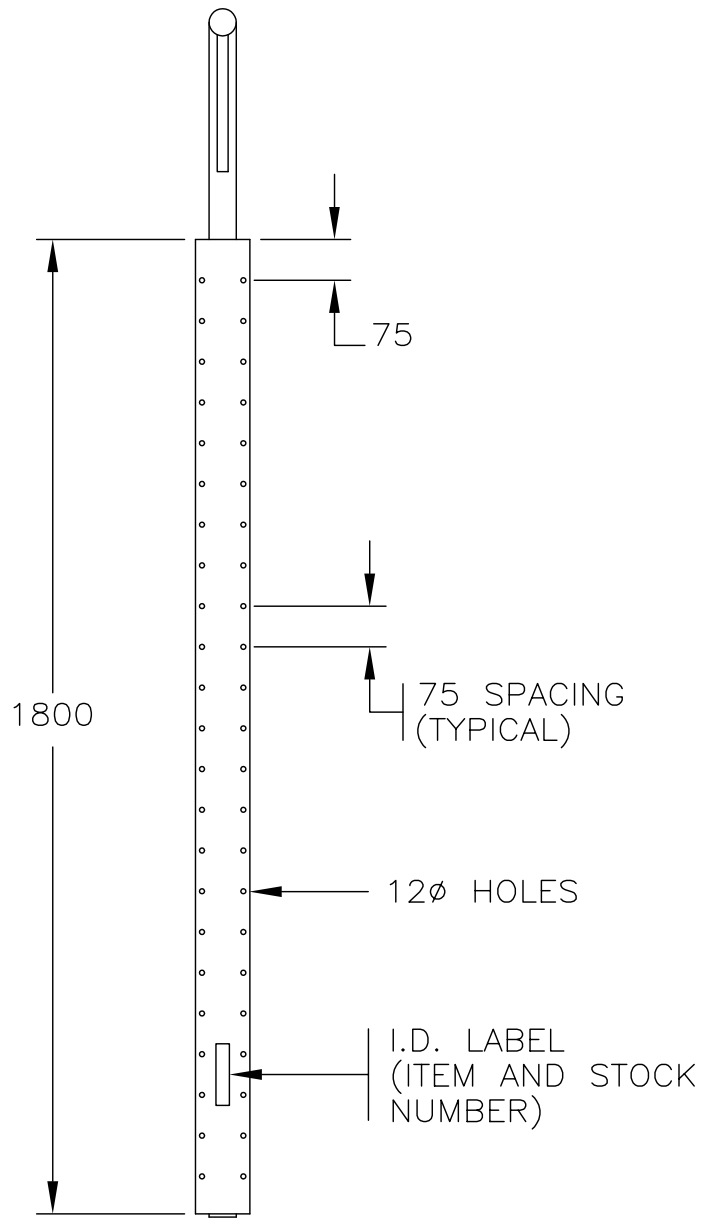
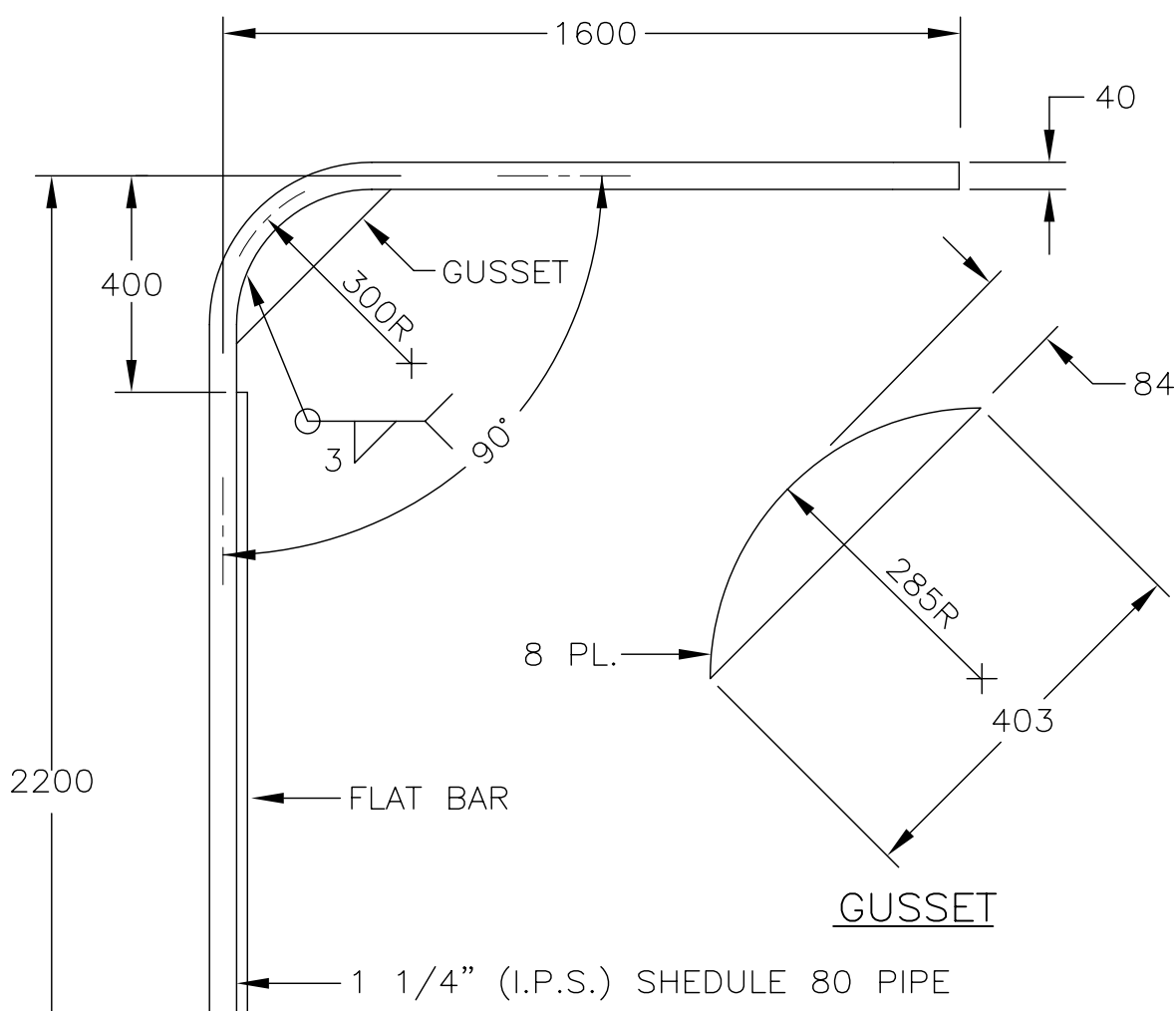


SIGN LUMINAIRE BRACKET MASS
26 kg

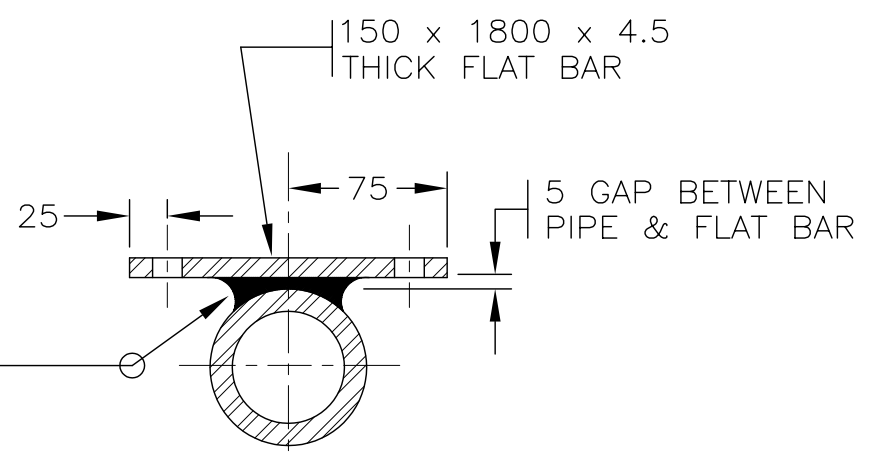


SIDE VIEW

FRONT VIEW

3/4" N.P.T. THREADED FEMALE PIPE COUPLING (TAP AFTER GALVANIZING)

SIGN LUMINAIRE MOUNTING BRACKET
(SN2175A)



SECTION (A)

SEE DRAWING MS331.1 FOR ADDITIONAL NOTES

FOR SIGNS HIGHER THAN 2100 HIGH

NOT TO SCALE

No.	Revision	Date
F		
E		
D		
C		
B		
A		

LARGE BREAKAWAY SIGN LUMINAIRE MOUNTING BRACKET DETAILS



BRITISH COLUMBIA

Ministry of Transportation and Highways

SPECIFICATION DRAWING No. MS331.2