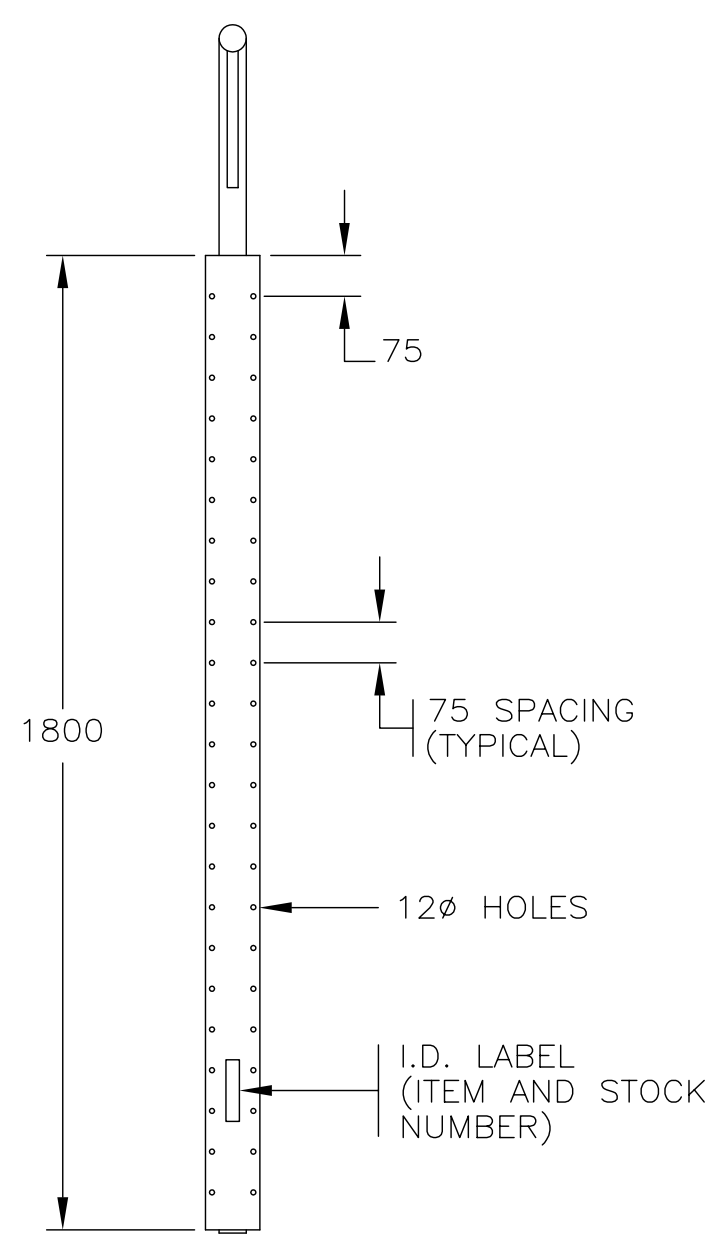
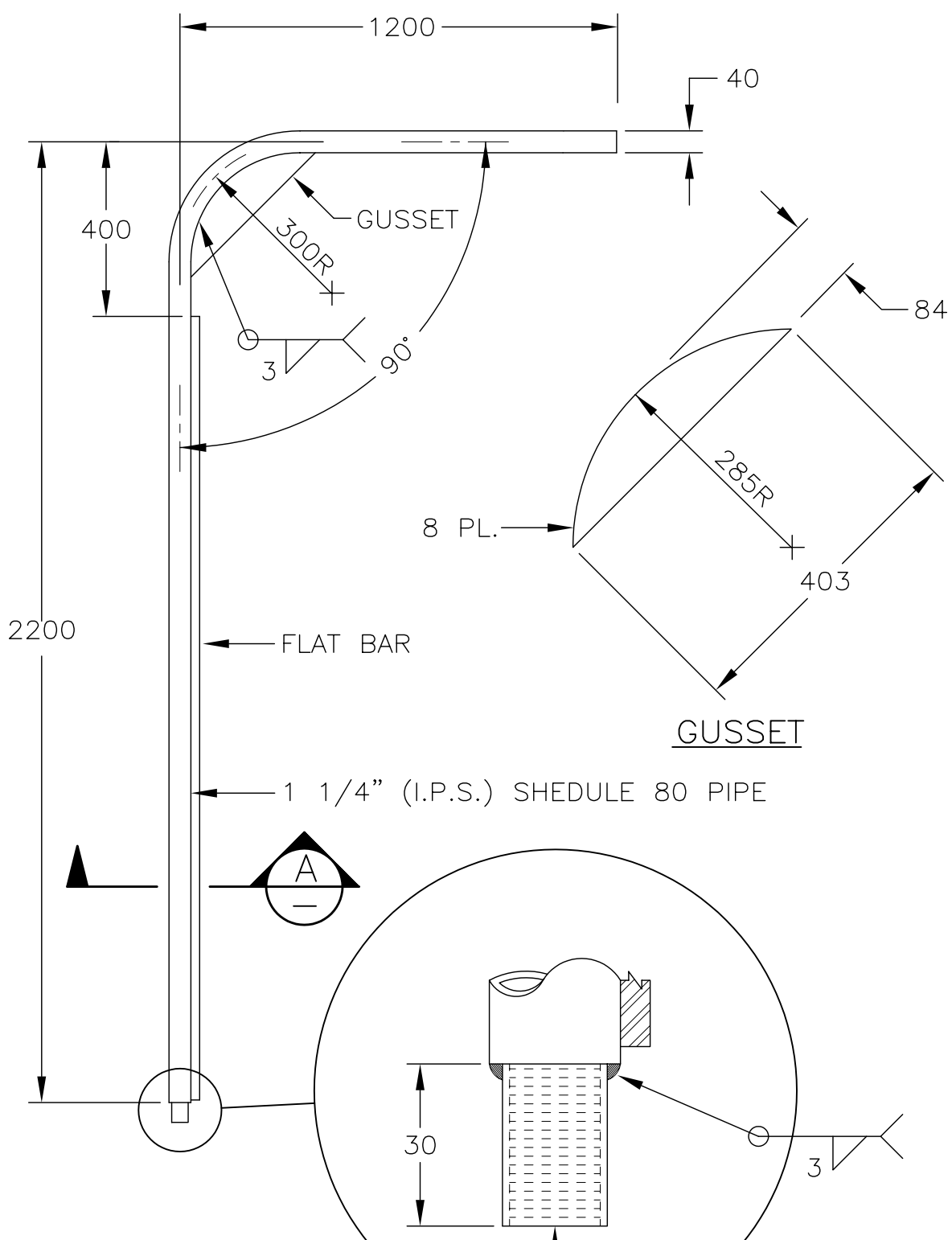


SIGN LUMINAIRE BRACKET MASS
24 kg

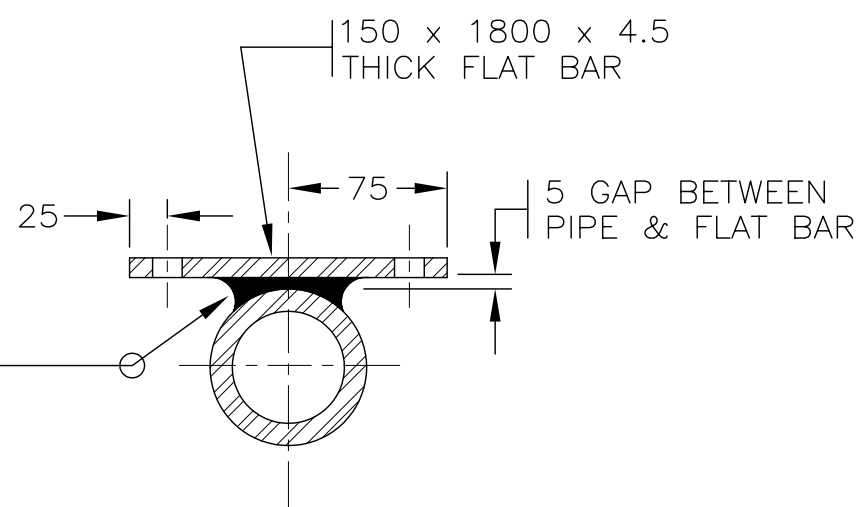


FRONT VIEW

SIDE VIEW

3/4" N.P.T. THREADED  
FEMALE PIPE COUPLING  
(TAP AFTER GALVANIZING)

SIGN LUMINAIRE MOUNTING BRACKET  
(SN2175)



SECTION (A)

FOR SIGNS UP  
TO 2100 HIGH

- NOTE:
1. SEE MATERIAL STANDARD SPECIFICATIONS SECTION 302 - BREAKAWAY SIGN STRUCTURES FOR ADDITIONAL INFORMATION.
  2. ALL DIMENSIONS ARE IN MILLIMETRES UNLESS OTHERWISE NOTED.
  3. 'SN' DENOTES MINISTRY STOCK NUMBER.

NOT TO SCALE

No.	Revision	Date
F		
E		
D		
C		
B		
A		

SMALL BREAKAWAY SIGN LUMINAIRE  
MOUNTING BRACKET DETAILS



**BRITISH  
COLUMBIA**

**Ministry of  
Transportation  
and Highways**

SPECIFICATION  
DRAWING No.  
MS331.1