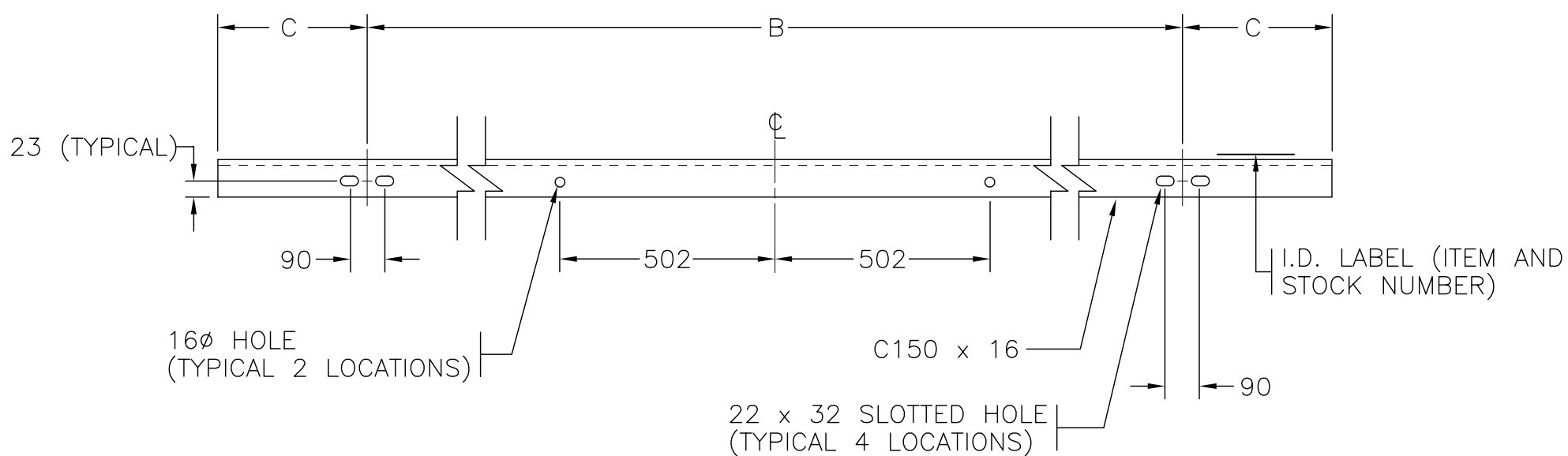


SIDE VIEW




SIDE VIEW

'C' CHANNEL

'C' CHANNEL SCHEDULE				
A	B	C	STOCK NUMBER	MASS
2200	1500	350	SN2190	35 kg
2900	2200	350	SN2191	46 kg
4100	3000	550	SN2192	66 kg

SEE DRAWING MS330.2 FOR NOTES.

NOT TO SCALE

No.	Revision	Date	BREAKAWAY SIGN STRUCTURE 'C' CHANNEL DETAILS	
F			 BRITISH COLUMBIA	Ministry of Transportation and Highways
E				
D				
C				
B				
A				SPECIFICATION DRAWING No. MS330.6