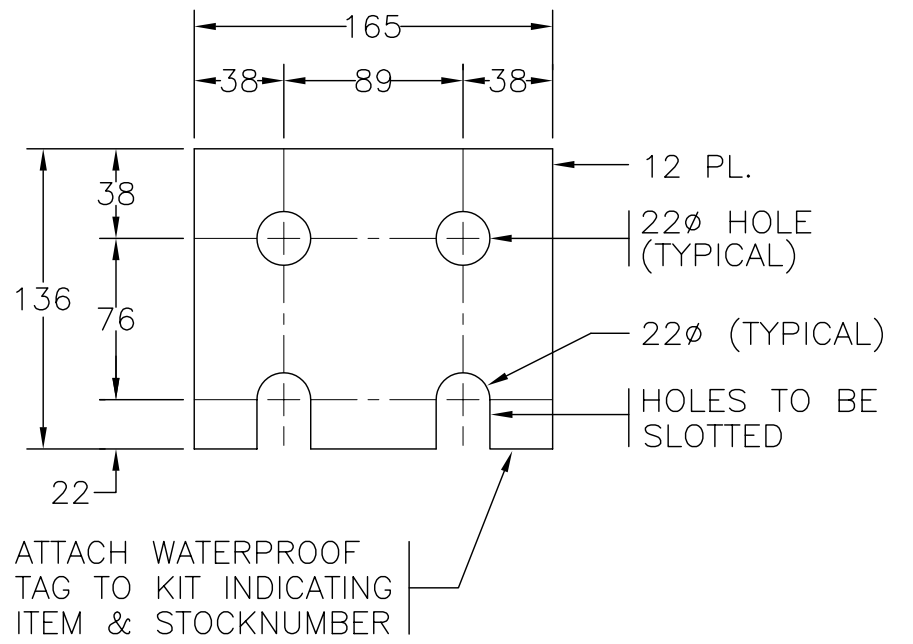
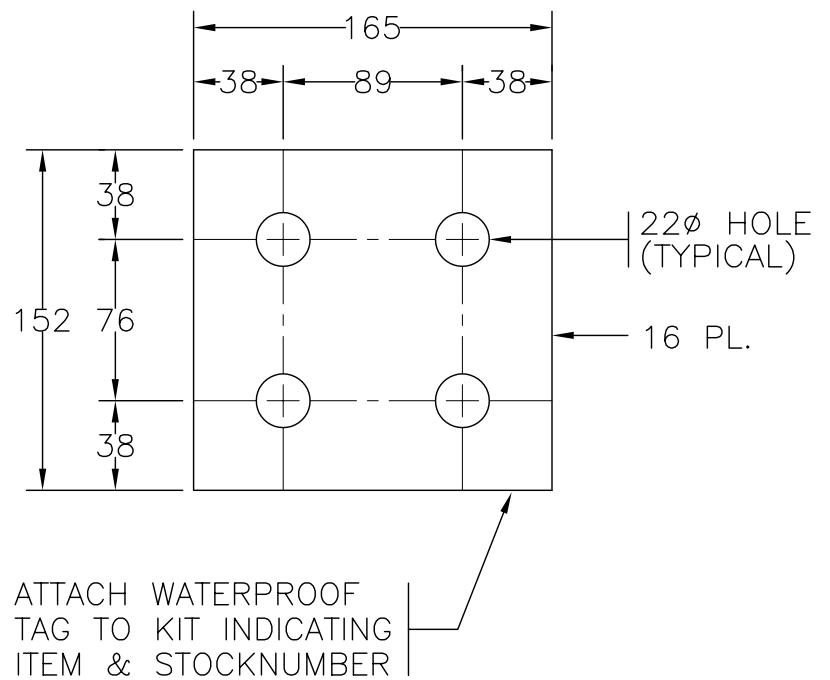


FUSE JOINT KIT (SN2166)	
QUANTITY	DESCRIPTION
8	3/4"φ x 2" LONG GALVANIZED ASTM A325 BOLT, NUT AND 2 FLAT WASHERS.
1	CONNECTION PLATE
1	FUSE PLATE
2	BRASS SHIMS (SEE DRAWING MS340.2 FOR DETAILS)



FUSE PLATE

CONNECTION JOINT KIT (SN2167)	
QUANTITY	DESCRIPTION
8	3/4"φ x 2" LONG GALVANIZED ASTM A325 BOLT, NUT AND 2 FLAT WASHERS.
2	CONNECTION PLATE



CONNECTION PLATE

SEE DRAWING MS330.2 FOR NOTES.

SCALE 1:5

No.	Revision	Date
F		
E		
D		
C		
B		
A		

BREAKAWAY SIGN STRUCTURE  
FUSE AND CONNECTION JOINT KIT DETAILS



**BRITISH COLUMBIA**

**Ministry of  
Transportation  
and Highways**

SPECIFICATION  
DRAWING No.  
MS330.5