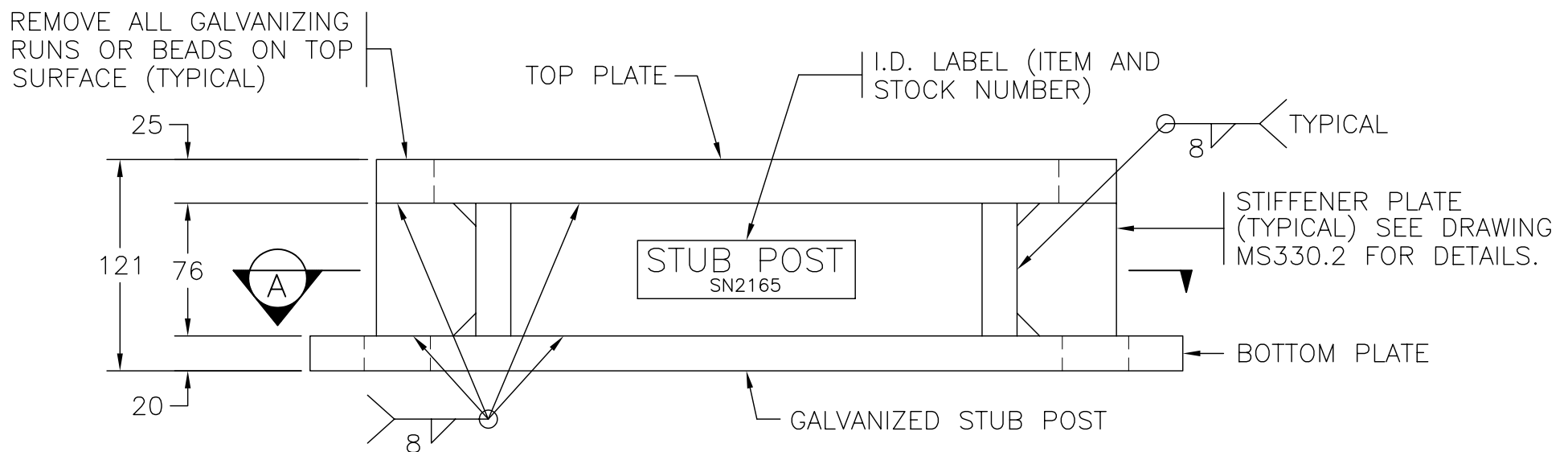
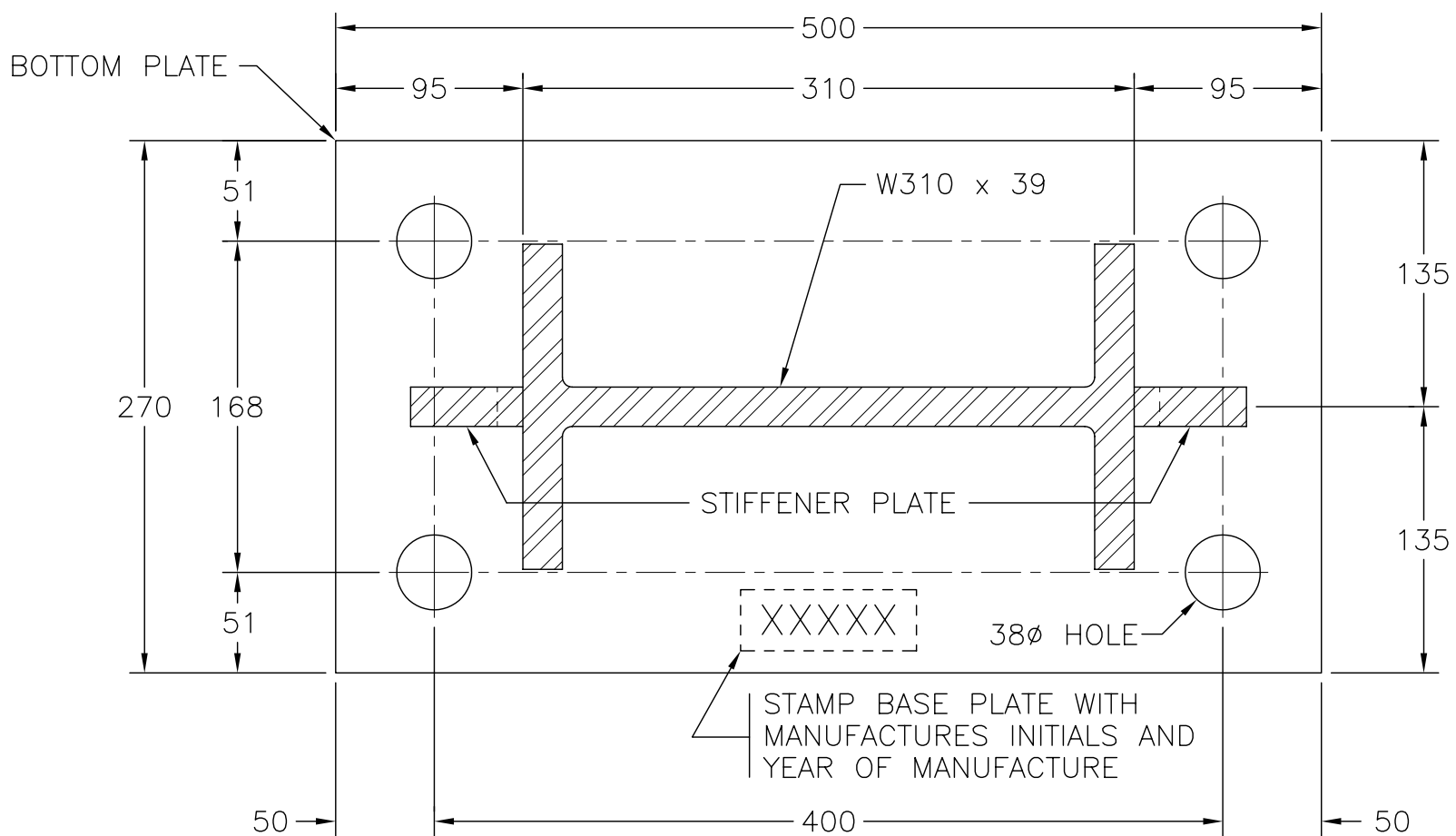


TOP VIEW



SIDE VIEW



SECTION (A)

SEE DRAWING MS330.2 FOR NOTES AND KIT DETAILS

SCALE 1:5

| No. | Revision | Date |
|-----|----------|------|
| F   |          |      |
| E   |          |      |
| D   |          |      |
| C   |          |      |
| B   |          |      |
| A   |          |      |

BREAKAWAY SIGN STRUCTURE  
STUB POST KIT DETAILS



BRITISH COLUMBIA

Ministry of  
Transportation  
and Highways

SPECIFICATION  
DRAWING No.  
MS330.1