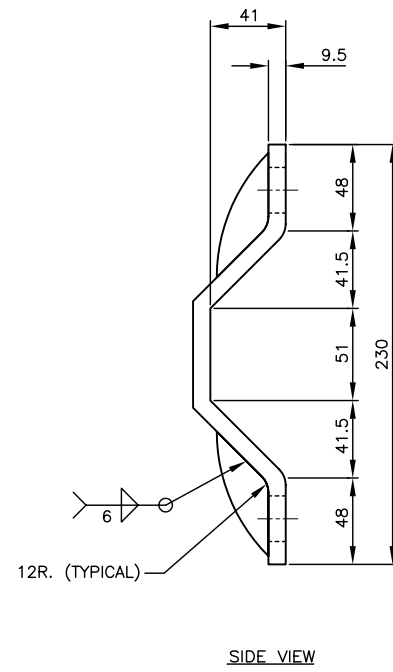
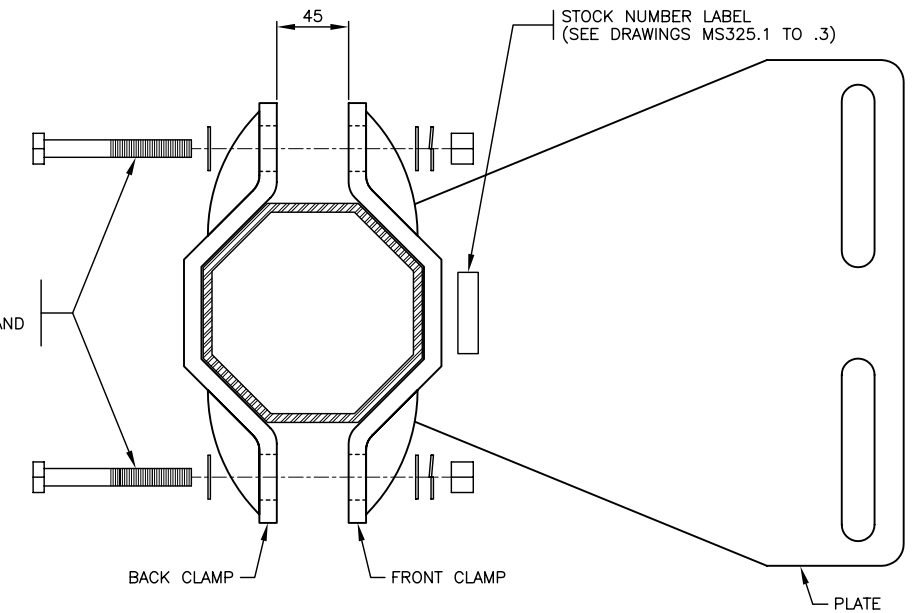


BACK CLAMP

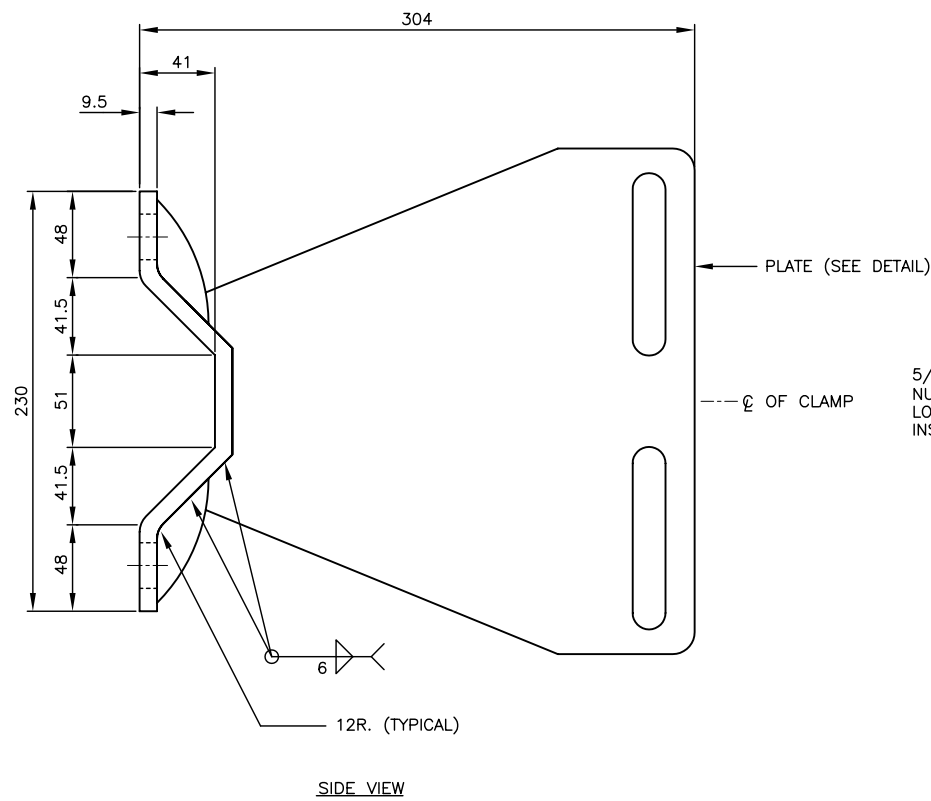


APPROX. MASS
9 kg

5/8"φ x 4" LONG BOLT, NUT, 2 FLATWASHERS AND LOCK WASHER. (SUPPLIED AND INSTALLED ON CLAMP)

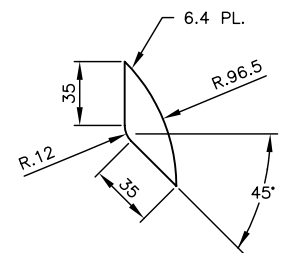
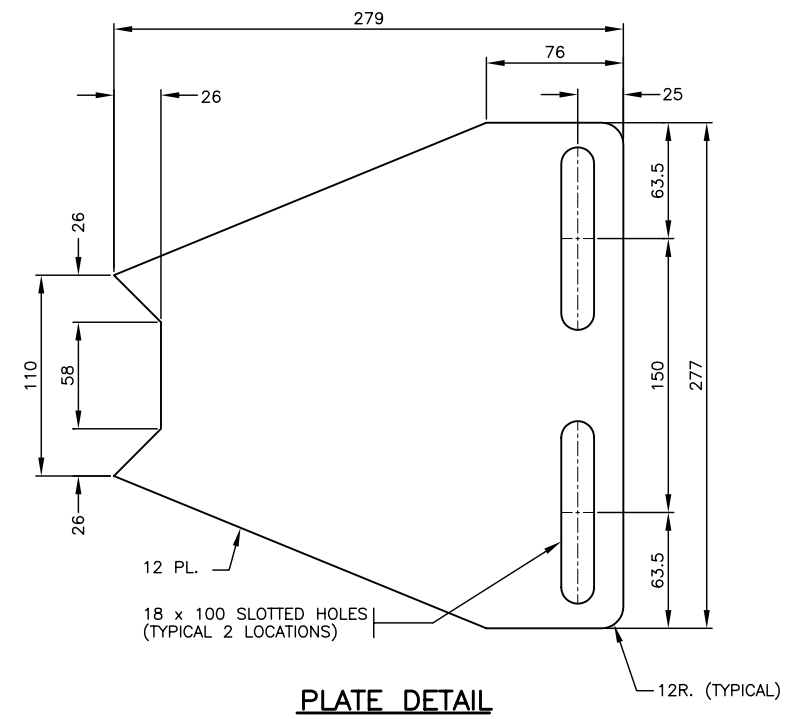
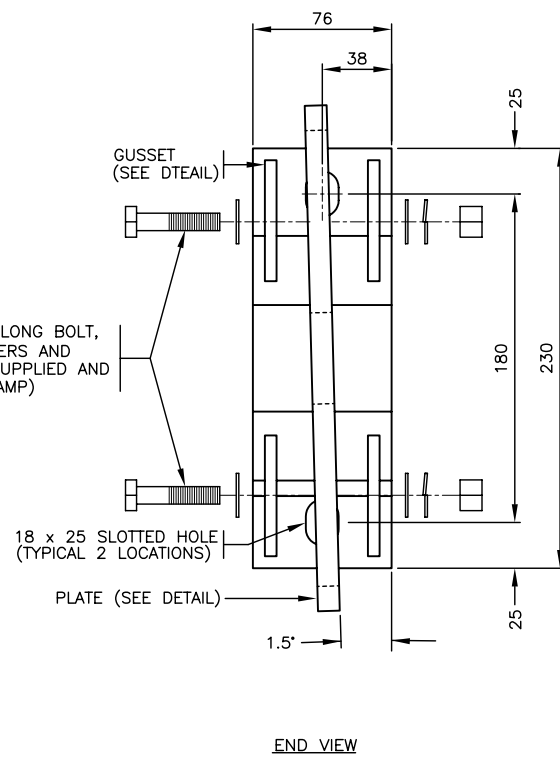


OPEN/CLOSED SIGN MOUNTING CLAMPS



FRONT CLAMP

5/8"φ x 2 1/2" LONG BOLT, NUT, 2 FLATWASHERS AND LOCK WASHER. (SUPPLIED AND INSTALLED ON CLAMP)



SEE DRAWING MS320.1 & .2 FOR NOTES

NOT TO SCALE

No.	Description	Date
J		
I		
H		
G		
F		
E		
D		
C		
B		
A		

REVISION

OPEN/CLOSED SIGN ARM CLAMP

DETAILS

BRITISH COLUMBIA Ministry of Transportation and Highways

Drawing No. **MS320.5**