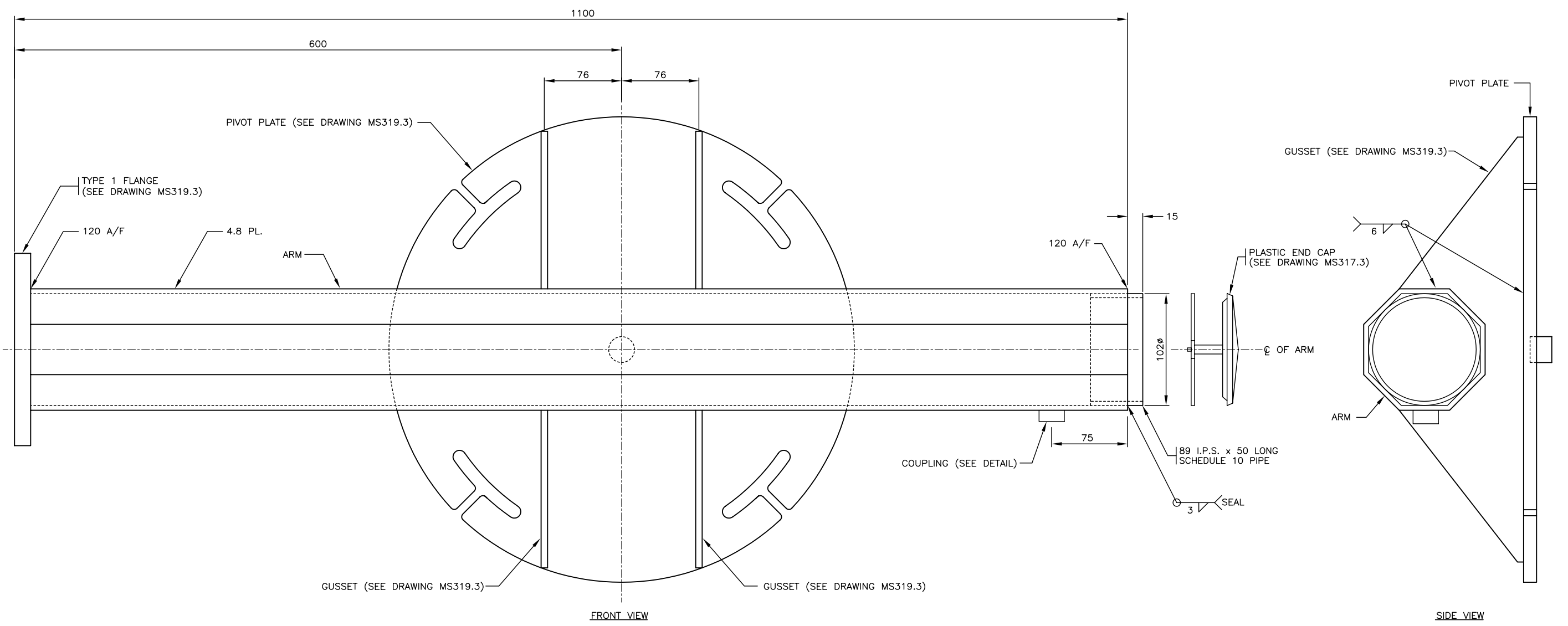


LB SIGN ARM COUPLING DETAIL
(PART OF ITEM A)

FRONT VIEW



TYPE LB ARM WELD DETAILS
(ITEM A)

SEE DRAWING MS319.1 FOR NOTES

NOT TO SCALE

No.	Description	Date
J		
I		
H		
G		
F		
E		
D		
C		
B		
A		

TYPE LB SIGN MOUNTING KIT

DETAILS

BRITISH COLUMBIA Ministry of Transportation and Highways	Drawing No. MS319.2
--	-------------------------------

REVISION